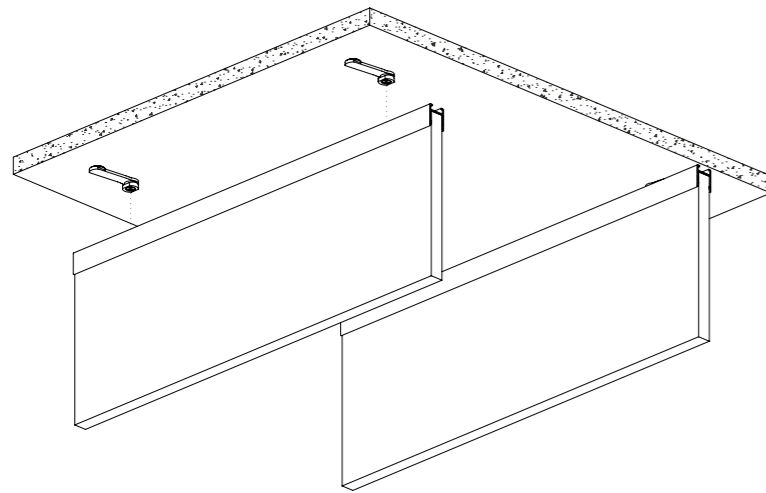


THE FIRST CONSIDERATION TO MAKE WHEN SPECIFYING A FRONTIER SYSTEM IS THE INSTALLATION METHOD.

1. DIRECT FIXED TO CEILING

SEE PAGE 2

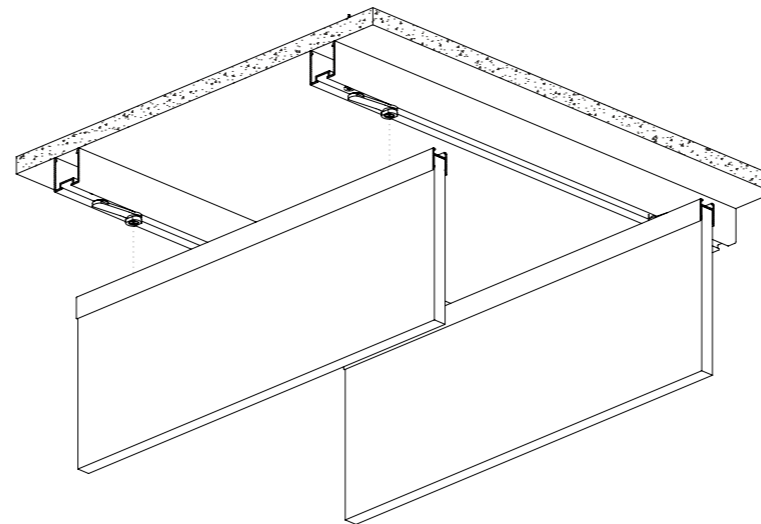


PACK INCLUDES
Autex Mounting Clips
Autex Frontier Extrusions
Autex Frontier Fins/Rafts

NOT SUPPLIED
Fasteners (to substrate)

2. DIRECT FIXED TO RAILS

SEE PAGE 3



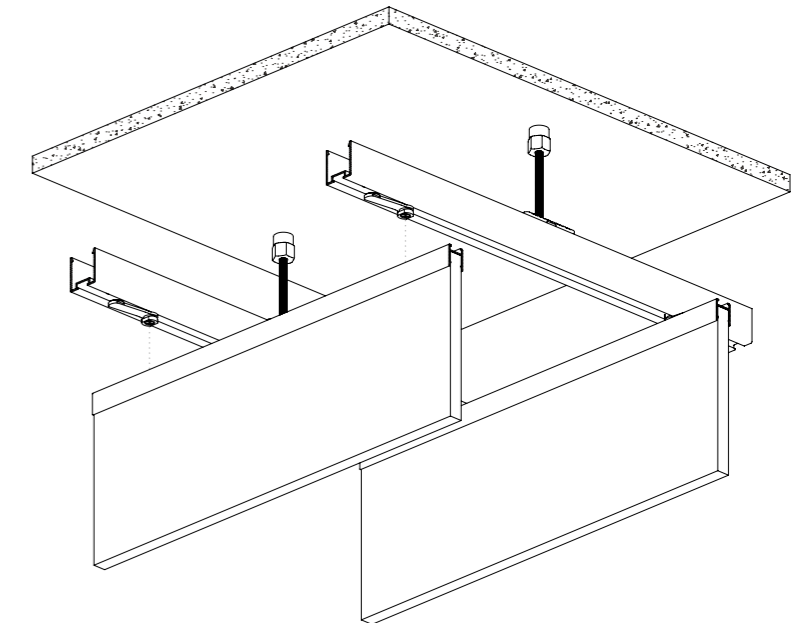
PACK INCLUDES
Autex Mounting Clips
Autex Frontier Extrusions
Autex Frontier Fins/Rafts

ADDITIONAL COMPONENTS REQUIRED
Autex Frontier Cross Rails x2

NOT SUPPLIED
Fasteners (to substrate)

3. SUSPENDED FROM RAILS

SEE PAGE 4



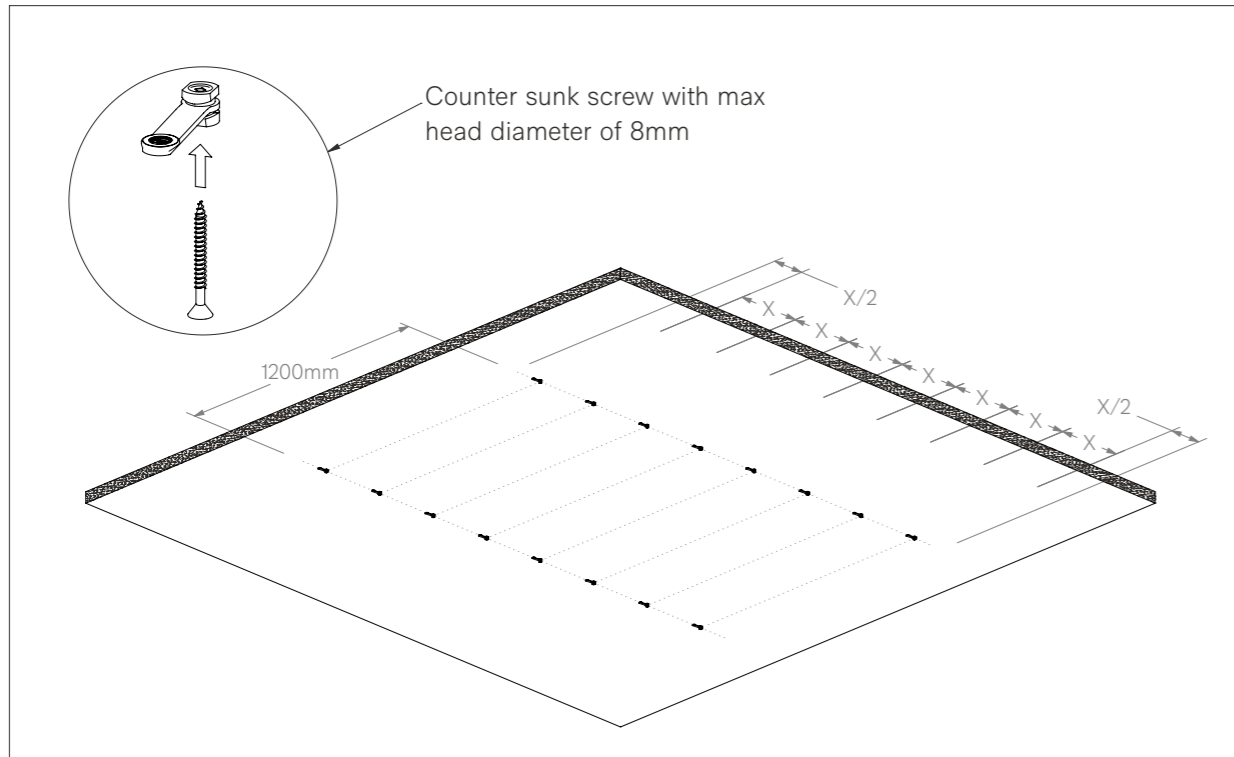
PACK INCLUDES
Autex Mounting Clips
Autex Frontier Extrusions
Autex Frontier Fins/Rafts

ADDITIONAL COMPONENTS REQUIRED
Autex Frontier Cross Rails x2
Autex W-Clips

NOT SUPPLIED
Fasteners (to substrate)
M6 Threaded Rod
M6 Back Plates to ceiling

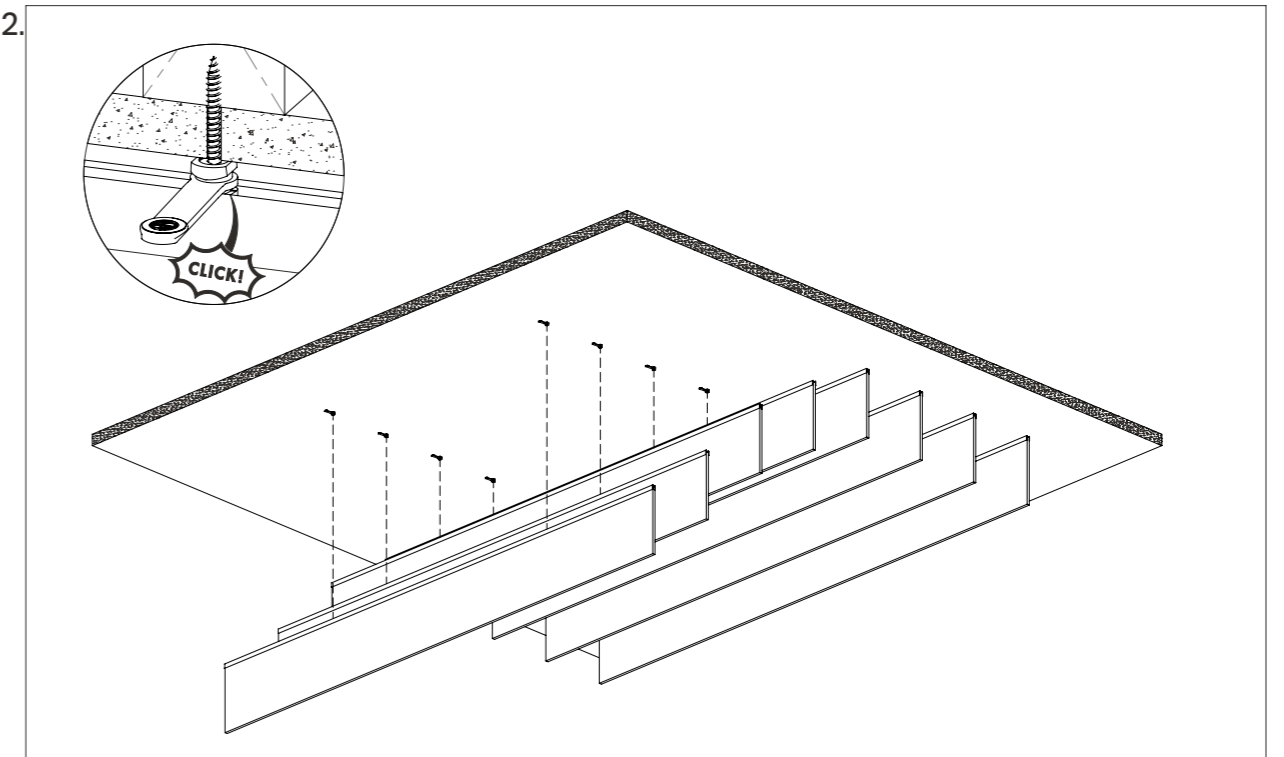
For suspended installations it is strongly recommended to consult a building engineer for seismic considerations. See Pages 23-29 for suggested details.
For all installations in sprinklered buildings, consult a fire engineer to ensure the intended position of the Frontier Fins/Rafts meet sprinkler and alarm standards.
Further detail on the fire standards can be found in the supplemental document "Fire Considerations for Autex Frontier Acoustic Fins".

1.



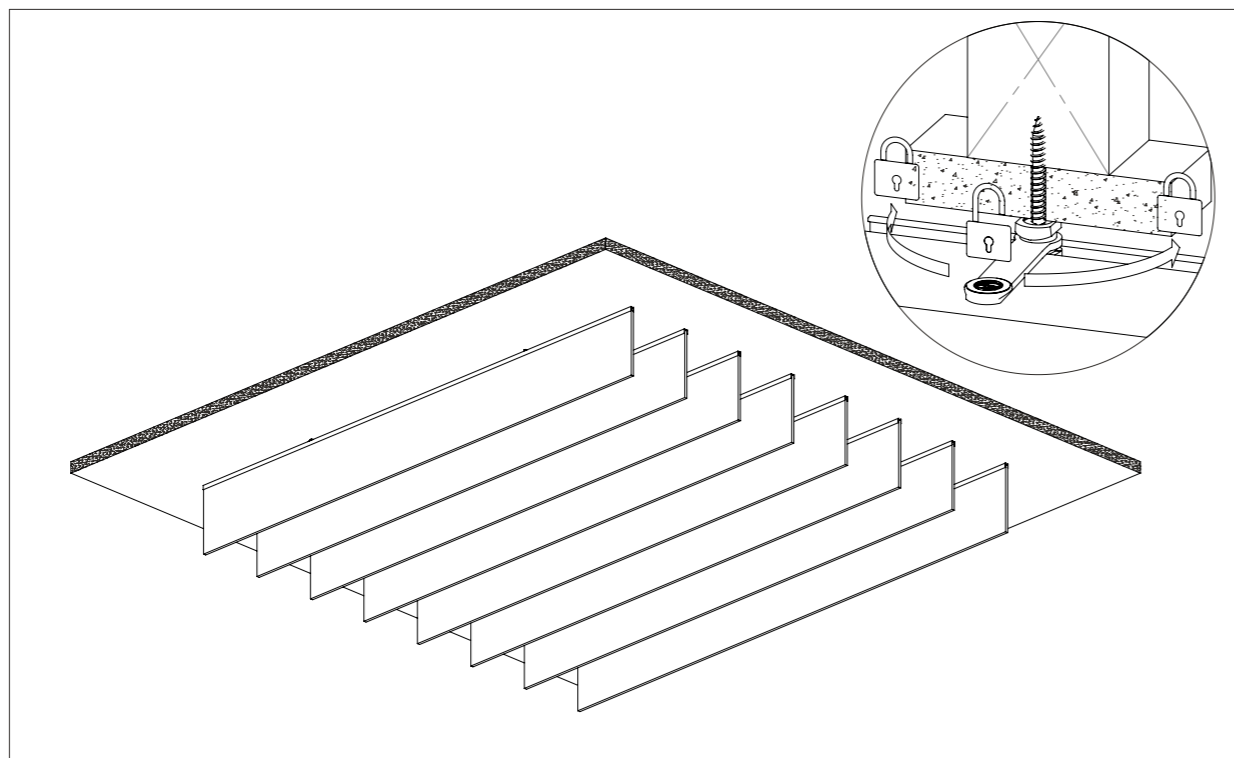
Mark out your ceiling at the recommended spacing for your chosen product (refer to table on page 5 for details). Screw the Autex Mounting Clips into the ceiling using screws suitable for the substrate (not supplied).

2.

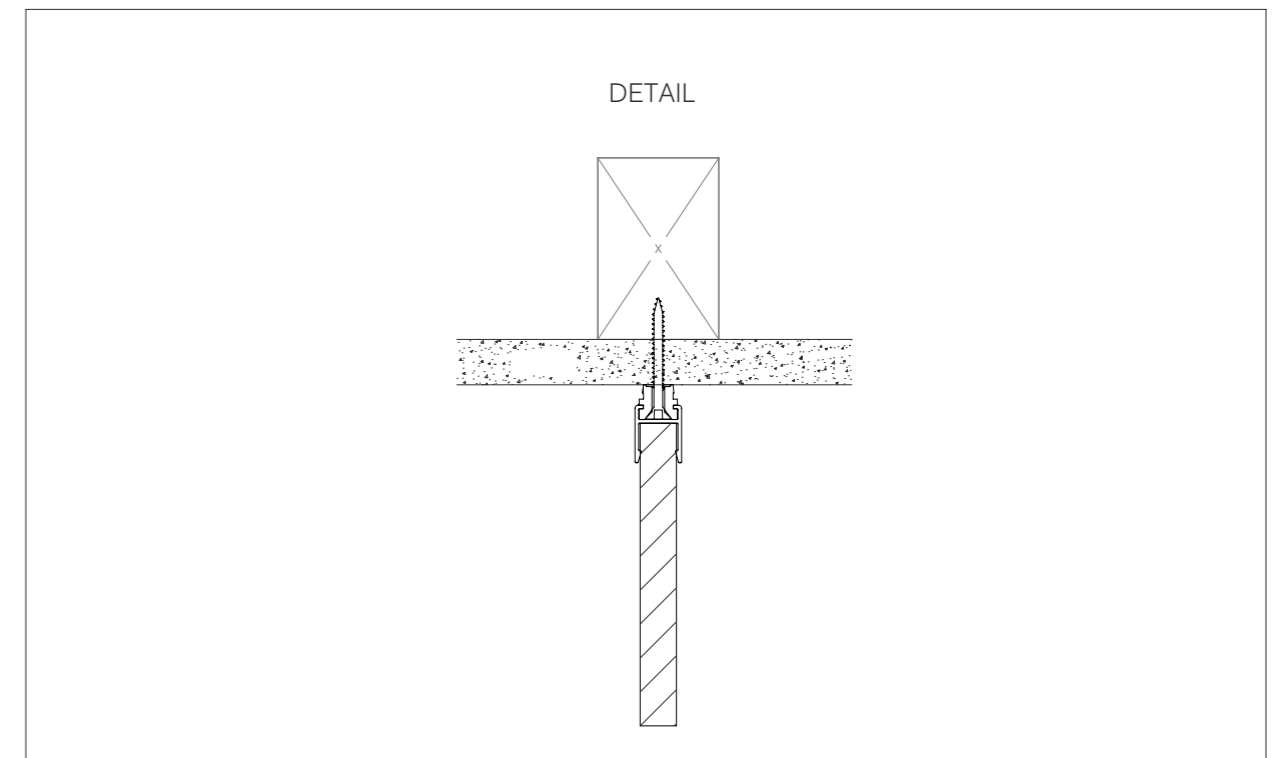


Lift the assembled Fins/Rafts into place and click them onto the Autex Mounting Clips. Turn the clips 45 Deg to temporarily hold the Fin/Raft in place while allowing adjustment along the length.

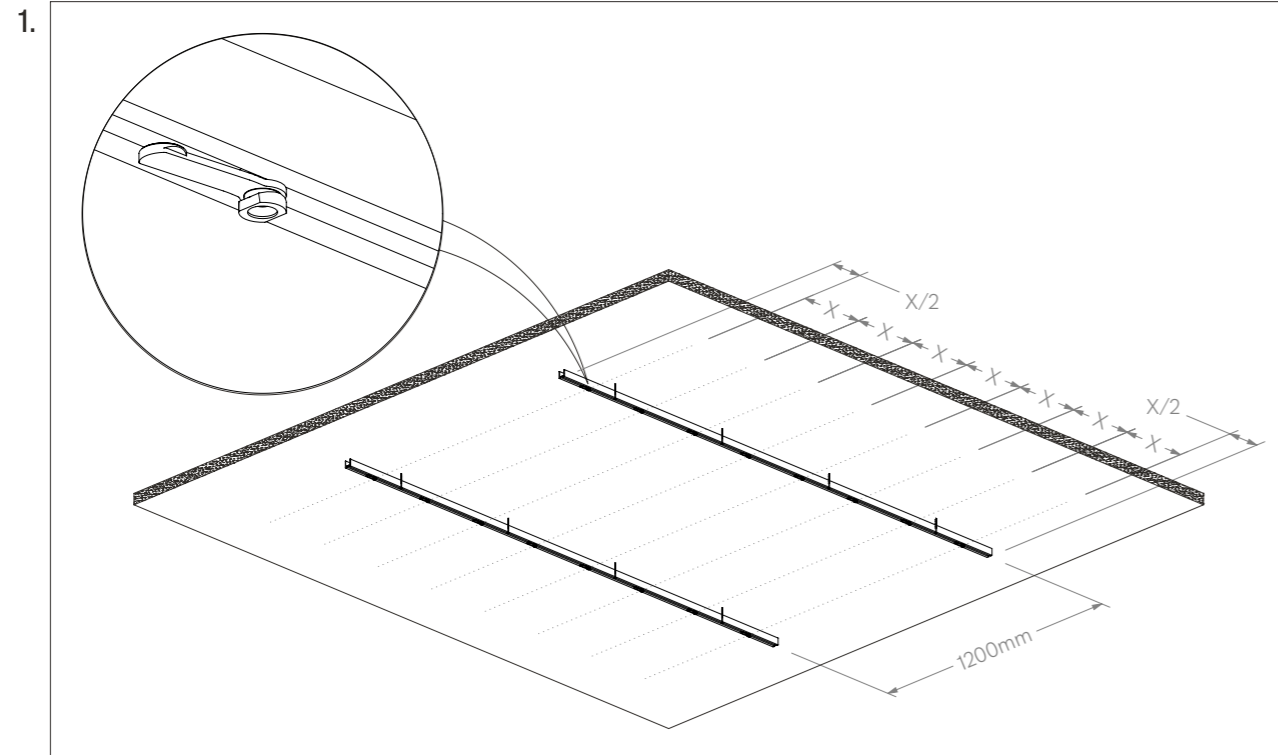
3.



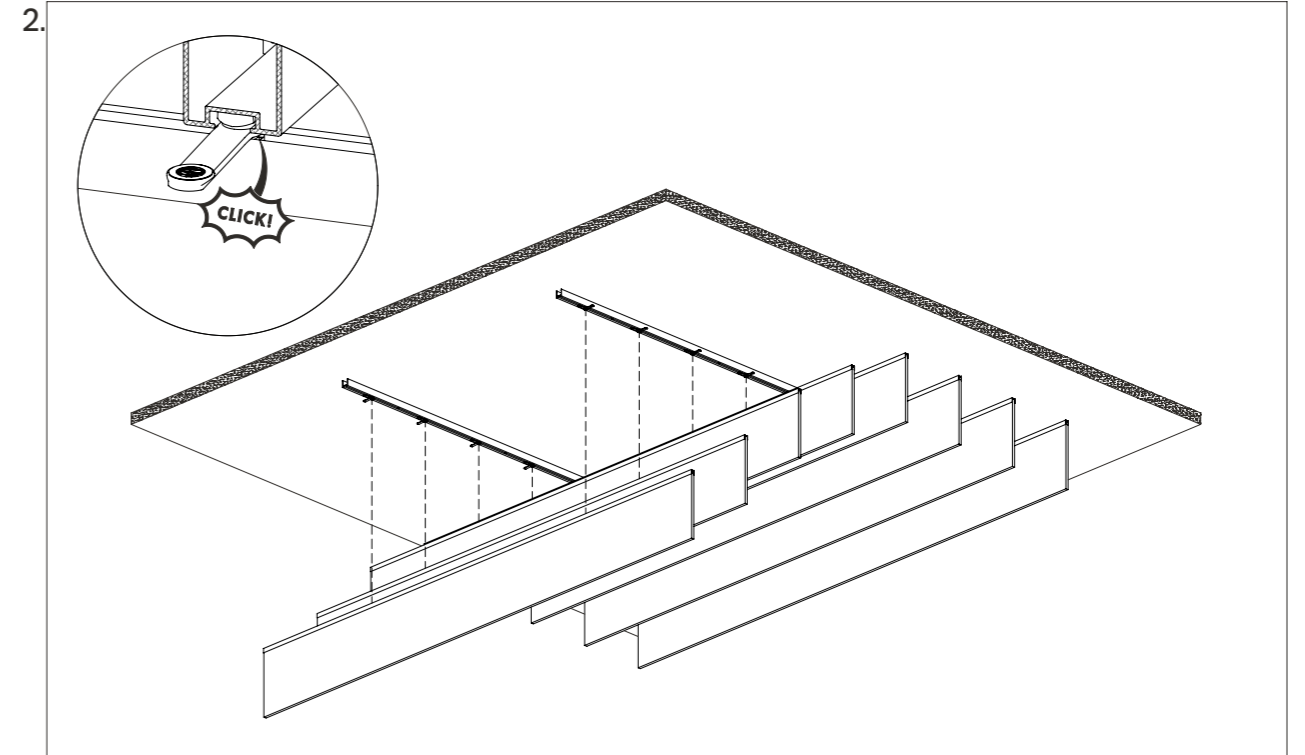
When you are satisfied with the alignment of the Fins/Rafts turn the clips 90 degrees so they clip into the channel and lock in place.



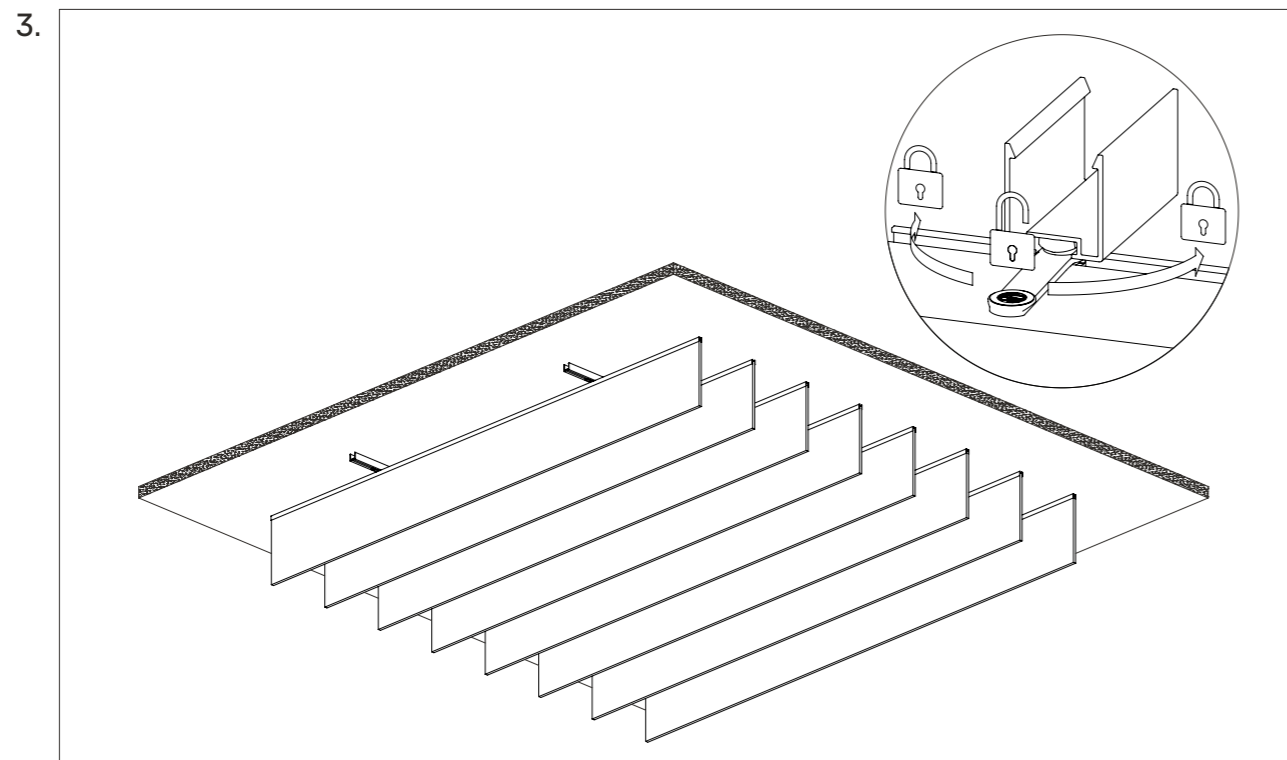
Ensure suitable fastener for the clip and substrate is used (not supplied).



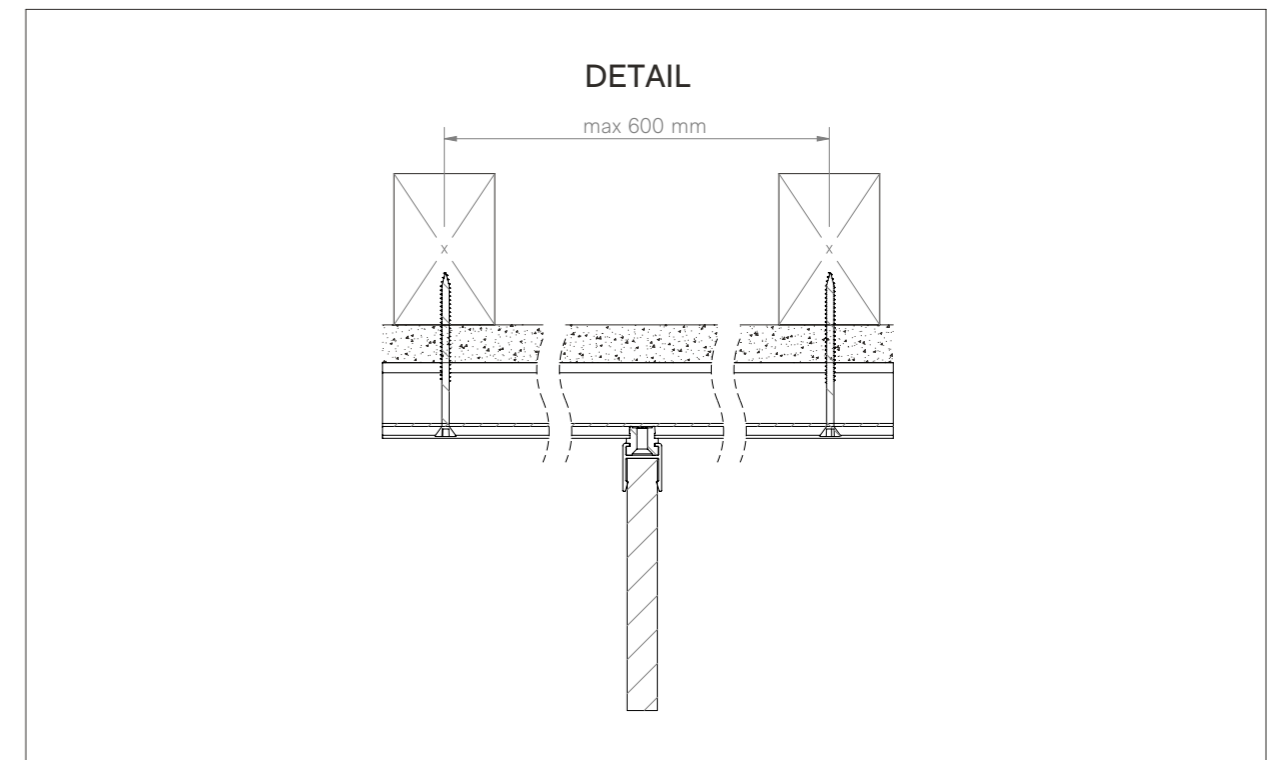
Mark out the ceiling and screw in 2x cross rails at 1200 mm centres using screws suitable for the substrate (not supplied) at max centres of 600 mm. Insert the Autex Mounting Clips at the desired fin spacing. Fin spacing can be marked on the cross rails prior to installation. (Refer to table on page 5 for details).



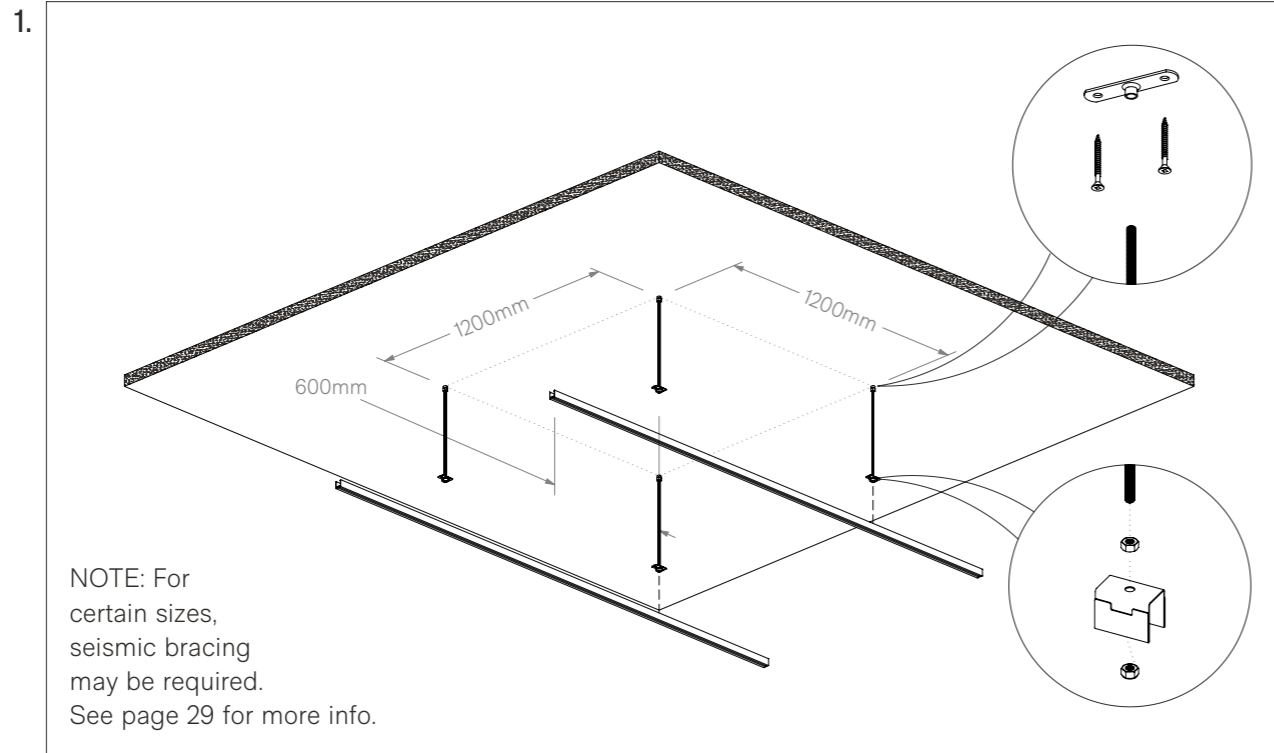
Lift the assembled Fins/Rafts into place and click them onto the Autex Mounting Clips. Turn the clips 45 Deg to temporarily hold the Fin/Raft in place while allowing adjustment along the length.



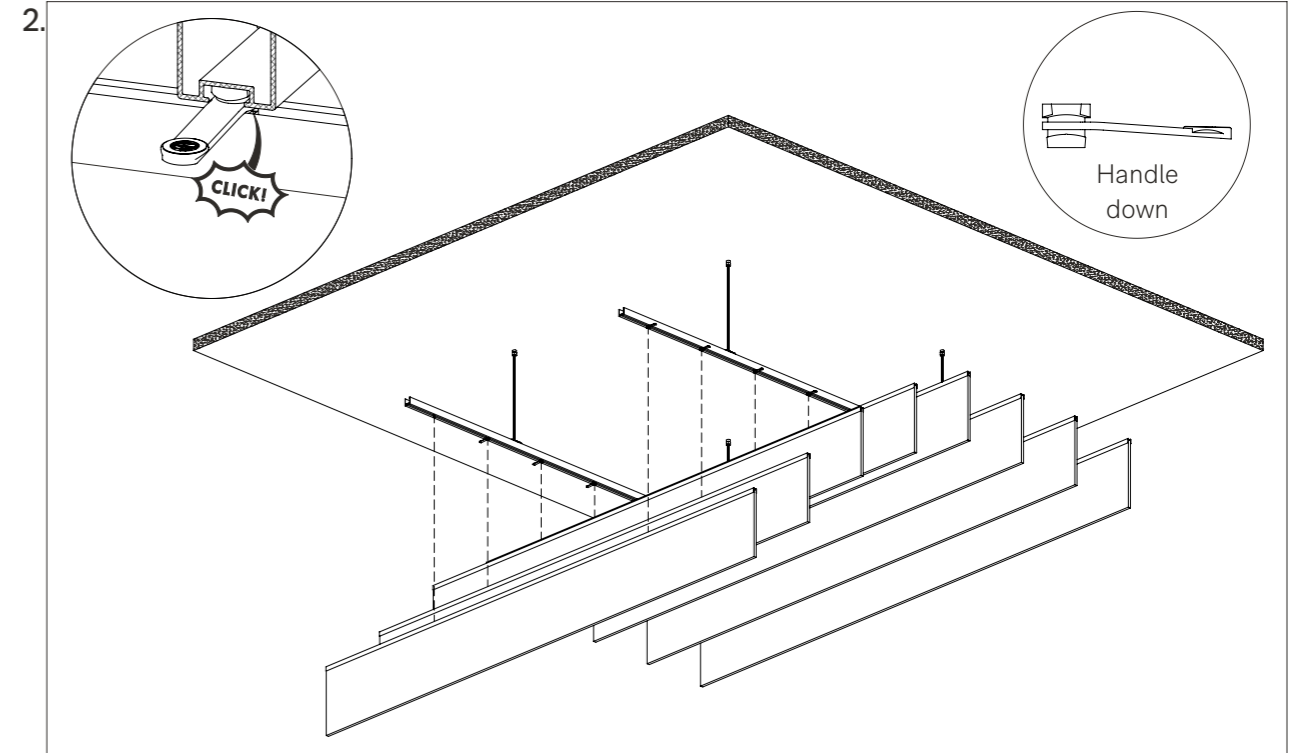
When you are satisfied with the alignment of the Fins/Rafts turn the clips 90 degrees so they clip into the channel and lock in place.



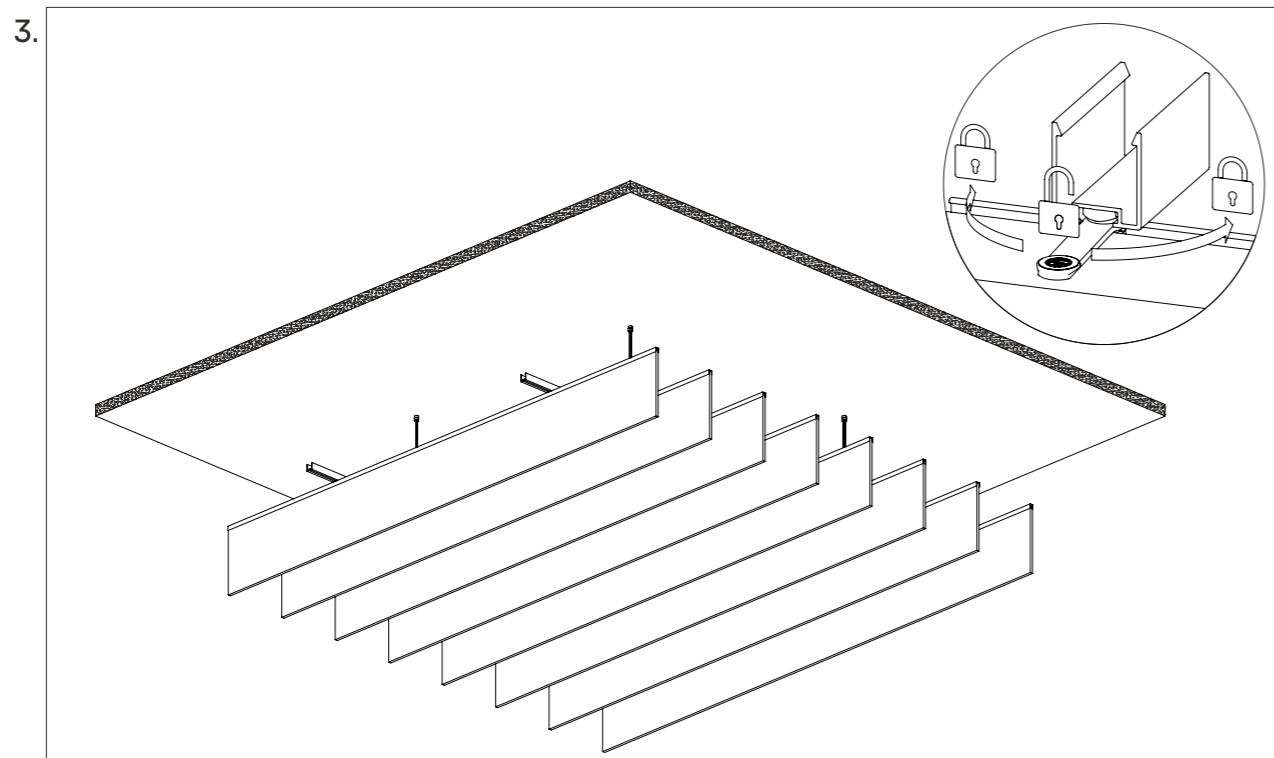
Ensure suitable fastener for the clip, rail and substrate is used. For additional security, the Autex Mounting Clips can be screwed into the cross rail.



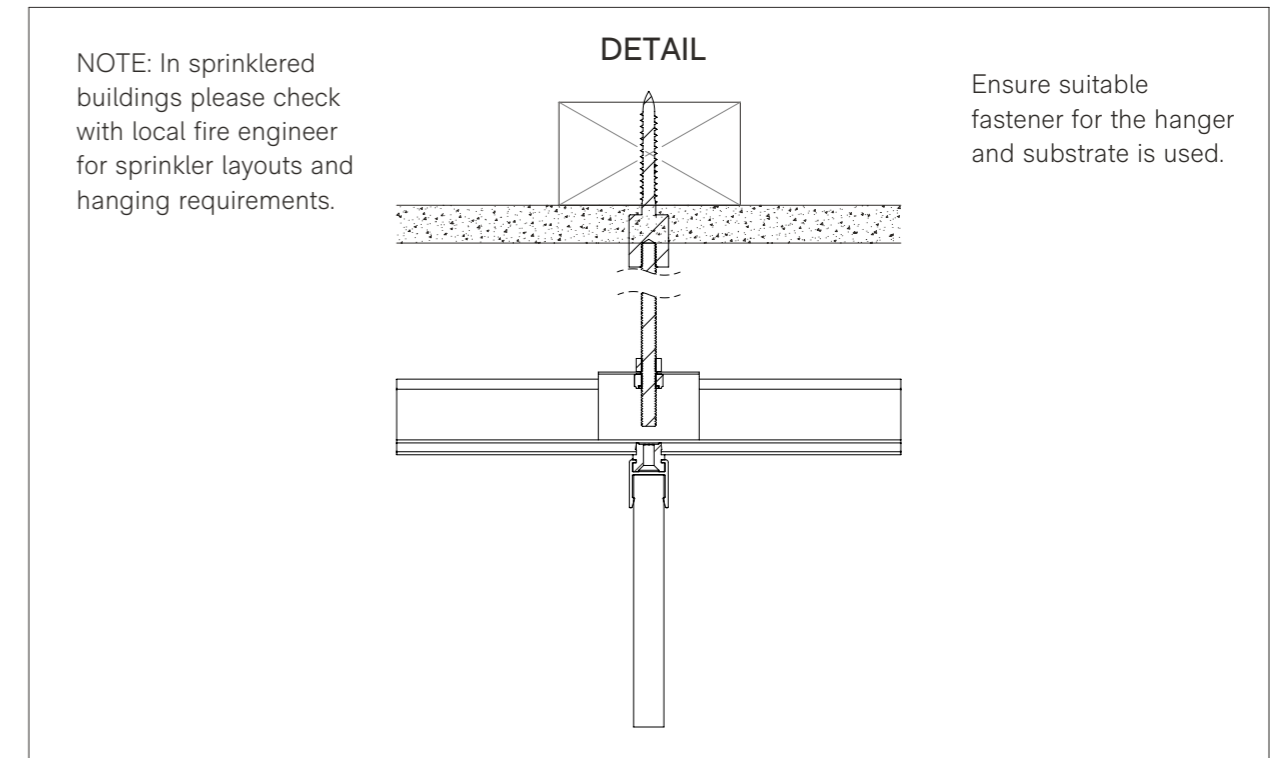
Mark out the ceiling and screw in 4x backing plates suitable for M6 threaded rod in a 1200 mm x 1200 mm square using screws suitable for the substrate (not supplied). Fin spacing can be marked on the cross rails prior to being clipped onto the Removable W-Clips. (Refer to table on page 5 for details).



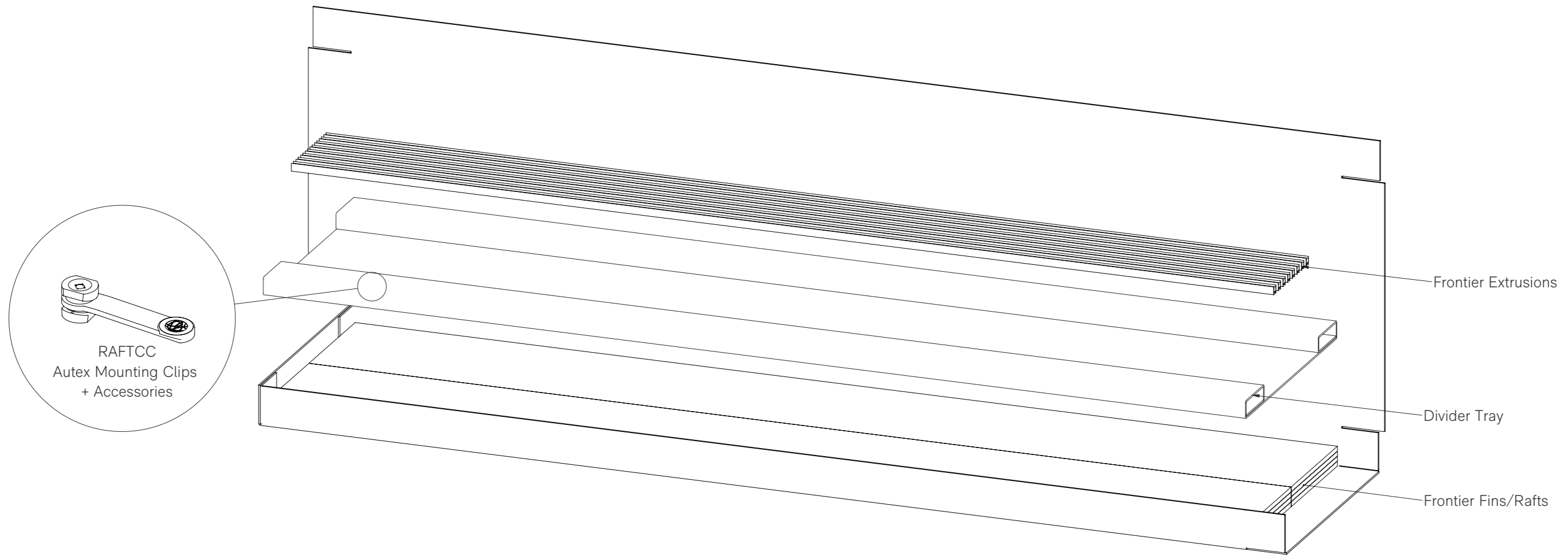
Insert the Autex Mounting Clips at the desired fin spacing on the cross rails with the handle tilted towards the floor. Lift the assembled Fins/Rafts into place and click them onto the Autex Mounting Clips. Turn the clips 45 Deg to temporarily hold the Fin/Raft in place while allowing adjustment along the length.



When you are satisfied with the alignment of the Fins/Rafts turn the clips 90° so they clip into the channel and lock in place.



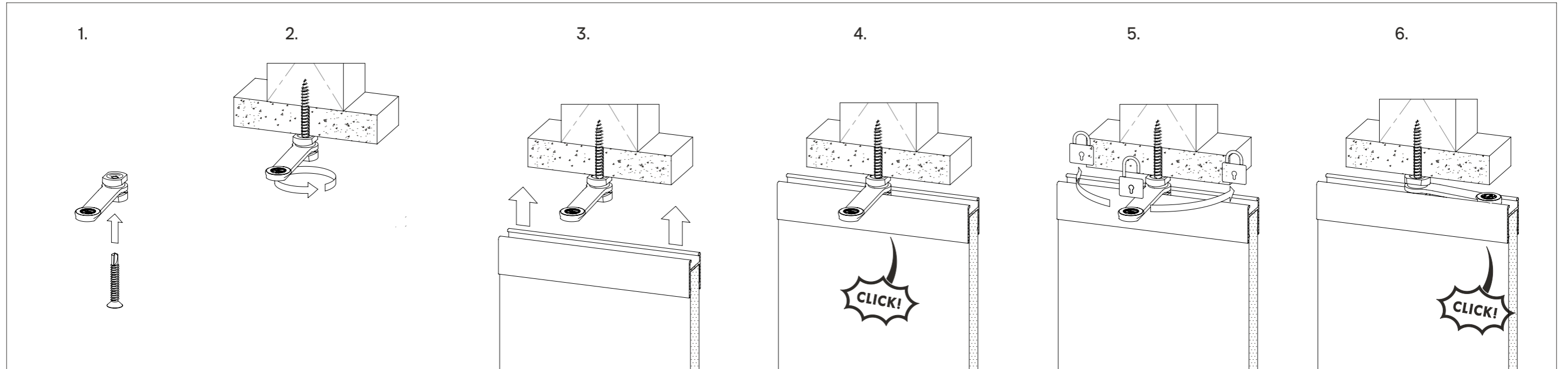
PLEASE NOTE, the threaded rod and backing plate suspension method is the default option for large installations. As these parts are supplied by a third party, please see your account manager for preferred supplier in your territory. For smaller installations, adjustable cable hangers are available from Autex.



STYLE	FIN LENGTH (mm)	FIN THICKNESS (mm)	FIN DEPTH** (mm)	FIN SPACING (mm)	FINS PER PACK	MOUNTING CLIPS	AREA PER PACK (m ²)
TUNDRA	2400	12	100	100	24	48	5.76
	2400	12	150	150	16	32	5.76
	2400	12	200	200	12	24	5.76
	2400	12	300	300	8	16	5.76
	2400	24	100	100	12	24	2.88
	2400	24	150	150	8	16	2.88
	2400	24	200	200	6	12	2.88
	2400	24	300	300	4	8	2.88
DUNE/SIERRA/TALUS	2400	12	300*	300	8	16	5.76
	2400	24	300*	300	4	8	2.88
AXIS	2400	12	150	300	16	16	5.76
RAFT STYLE	RAFT LENGTH (mm)	RAFT WIDTH (mm)	RAFT DEPTH** (mm)	RAFT SPACING (mm)	RAFTS PER PACK	MOUNTING CLIPS	AREA PER PACK (m ²)
BEAM 100	2400	70	87	150	8	16	2.88
BEAM 250	2400	70	227	300	4	8	2.88
BLADE	2400	70	247	300	4	8	2.88
TRAPEZOID	2400	200	137	300	4	8	2.88

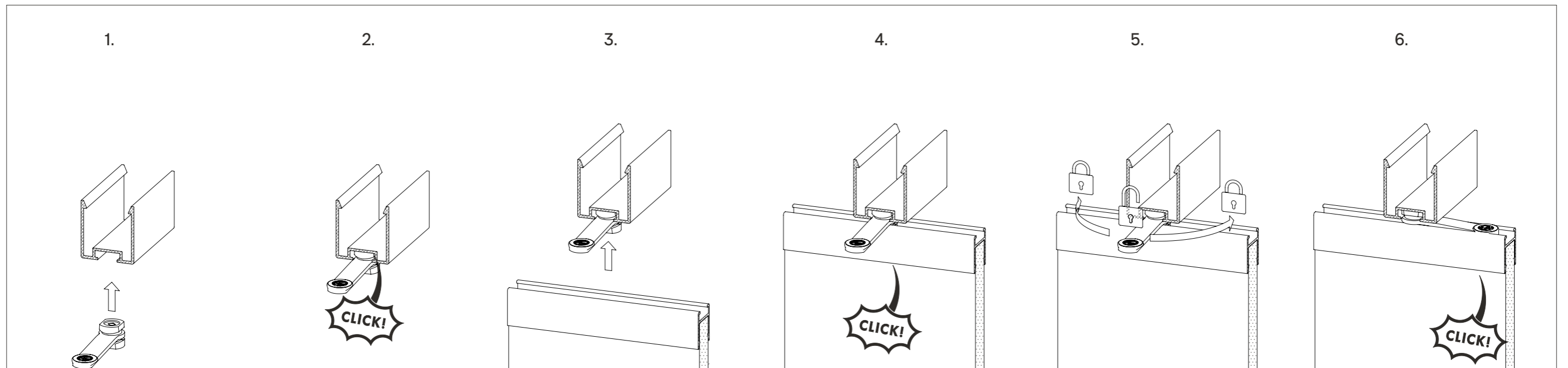
*The Fin Depth of DUNE/SIERRA/TALUS fins vary but average out to 300mm **Fin Depth/Raft Depth is inclusive of extrusion

DIRECT FIX TO CEILING

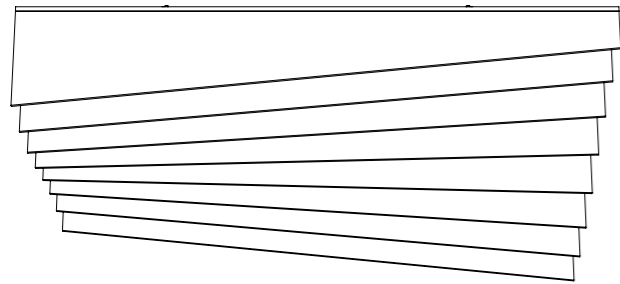


12mm Frontier Fin shown in example. Repeat the same process for Frontier 24mm Fin and Frontier Raft

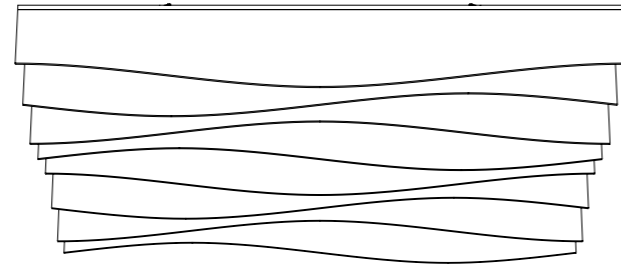
DIRECT FIX TO RAIL/SUSPENDED FROM RAIL



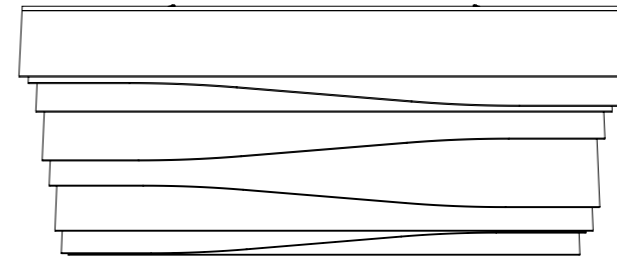
12mm Frontier Fin shown in example. Repeat the same process for Frontier 24mm Fin and Frontier Raft



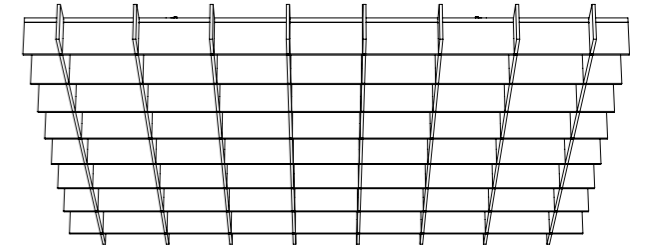
SIERRA



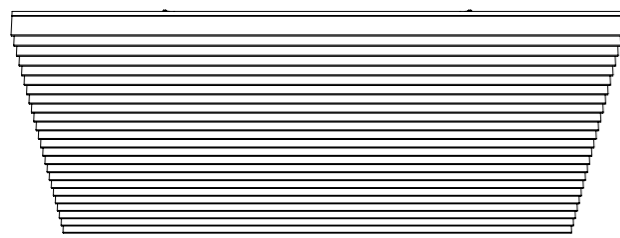
TALUS



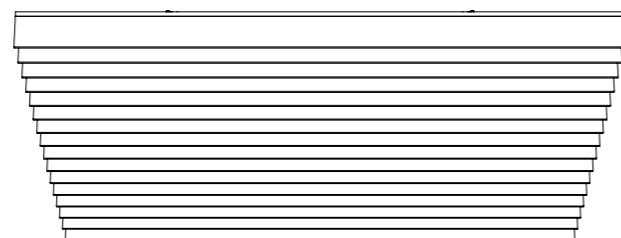
DUNE



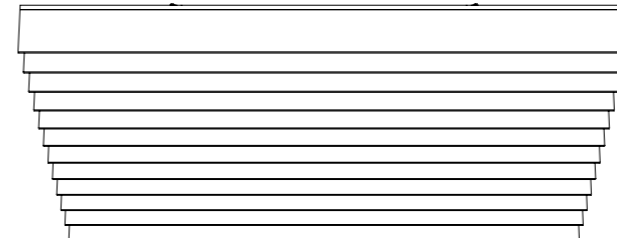
AXIS



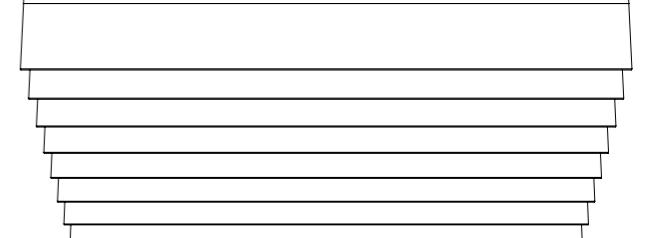
TUNDRA 100



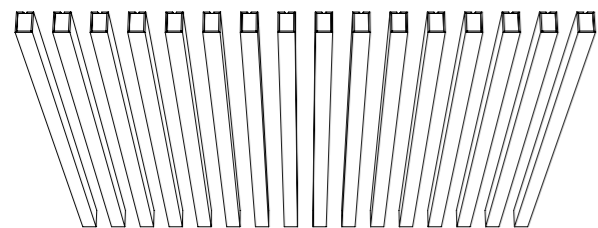
TUNDRA 150



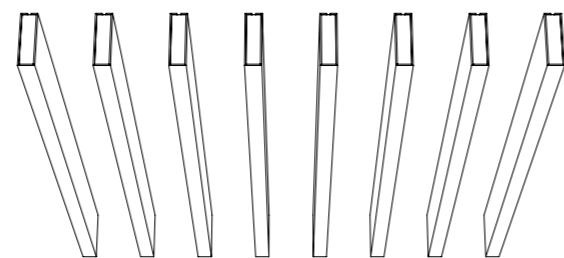
TUNDRA 200



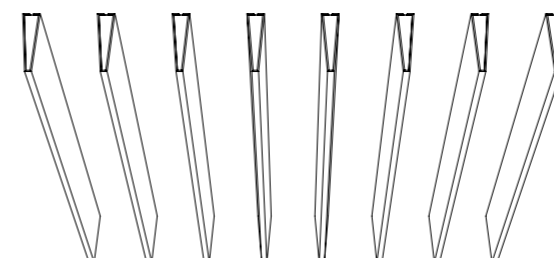
TUNDRA 300



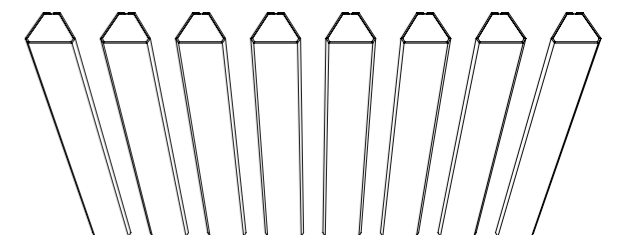
RAFT BEAM 100
2X PACKS SHOWN



RAFT BEAM 250
2X PACKS SHOWN

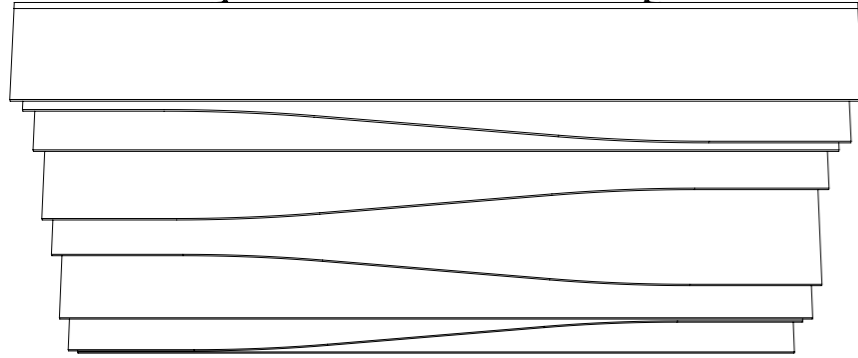


RAFT BLADE
2X PACKS SHOWN



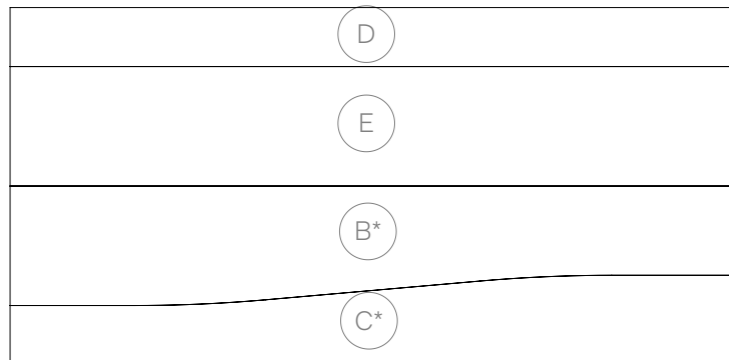
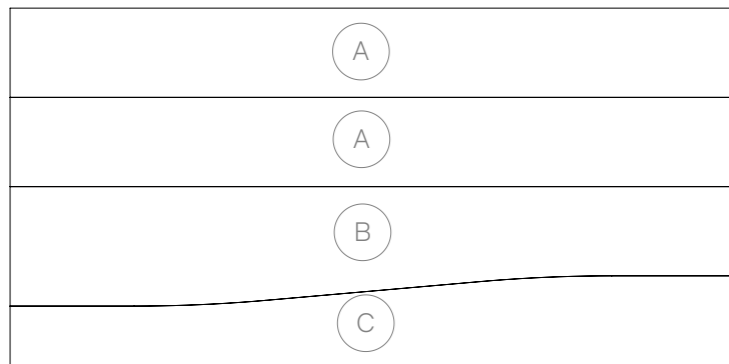
RAFT TRAPEZOID
2X PACKS SHOWN

DUNE

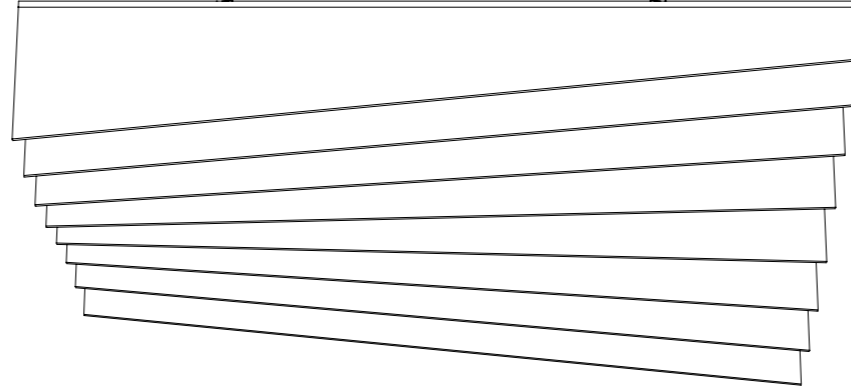


Install sequence pattern as shown above
A,C,D,C*,B,E,B*,A

Box layout as shown below.

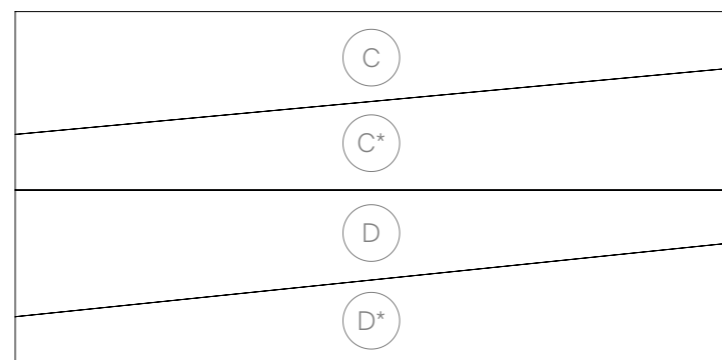
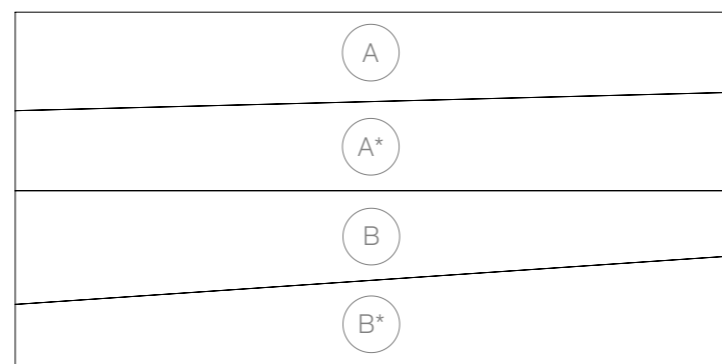


SIERRA

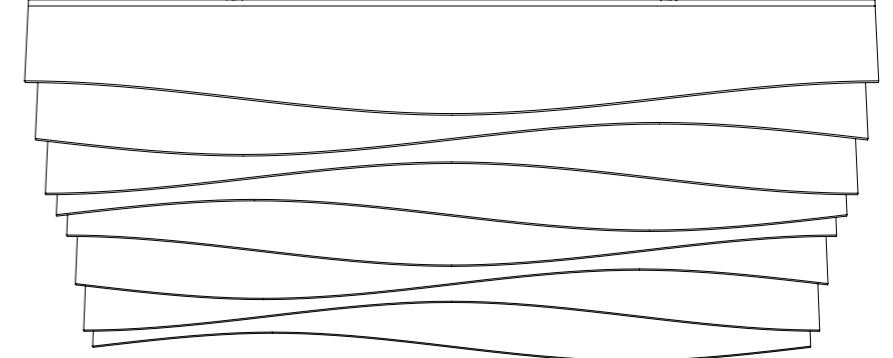


Installation sequence pattern as shown above
D,C,B,A,A*,B*,C*,D*...
To continue the pattern, the following set of 8 fins will be in the
REVERSE order

Box layout as shown below.

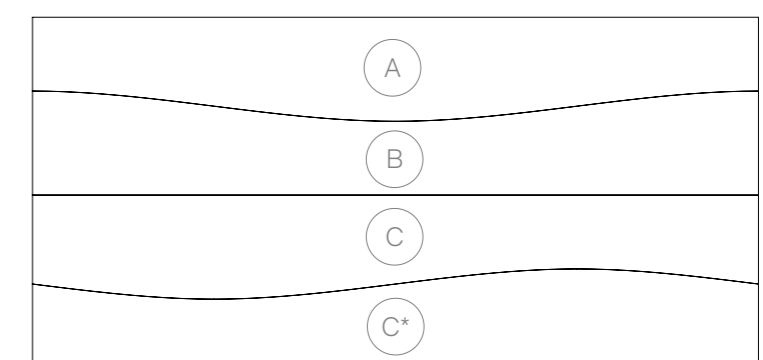
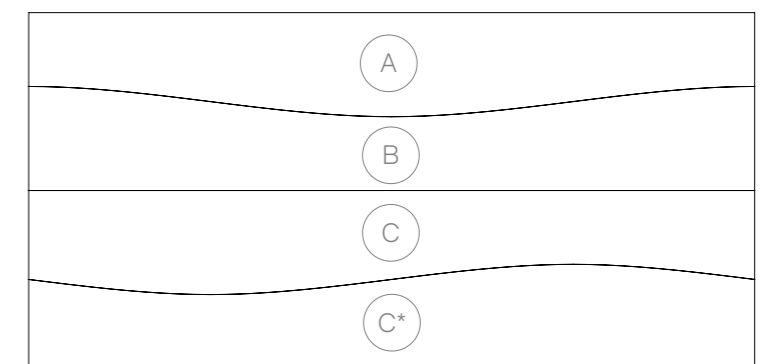


TALUS

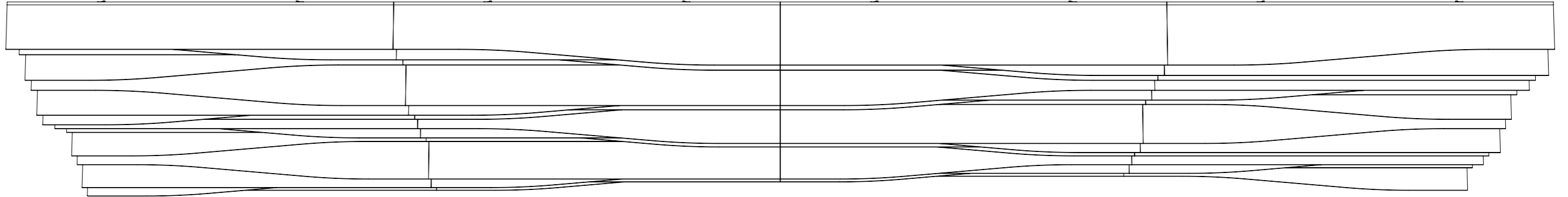


Installation sequence pattern as shown above
A,C,B,C*,A,C,B,C*...

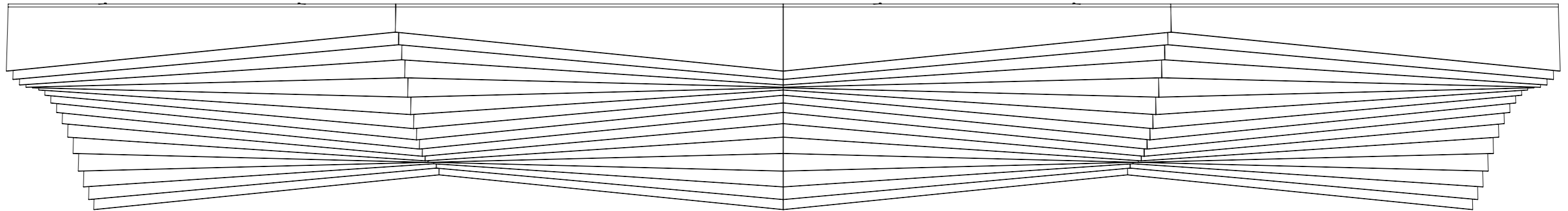
Box layout as shown below.



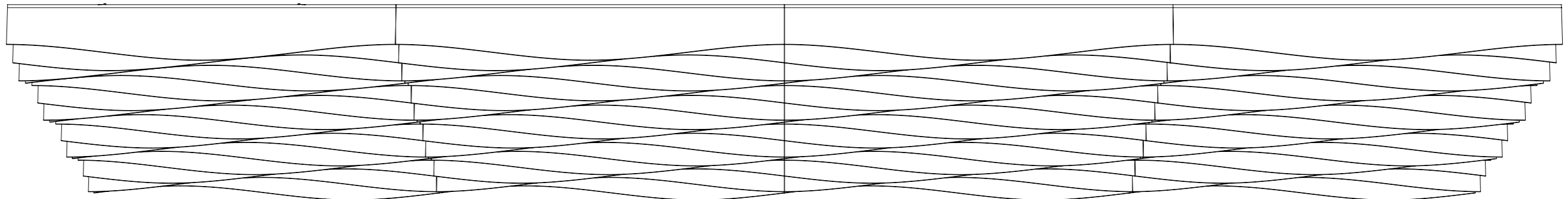
DUNE



SIERRA



TALUS

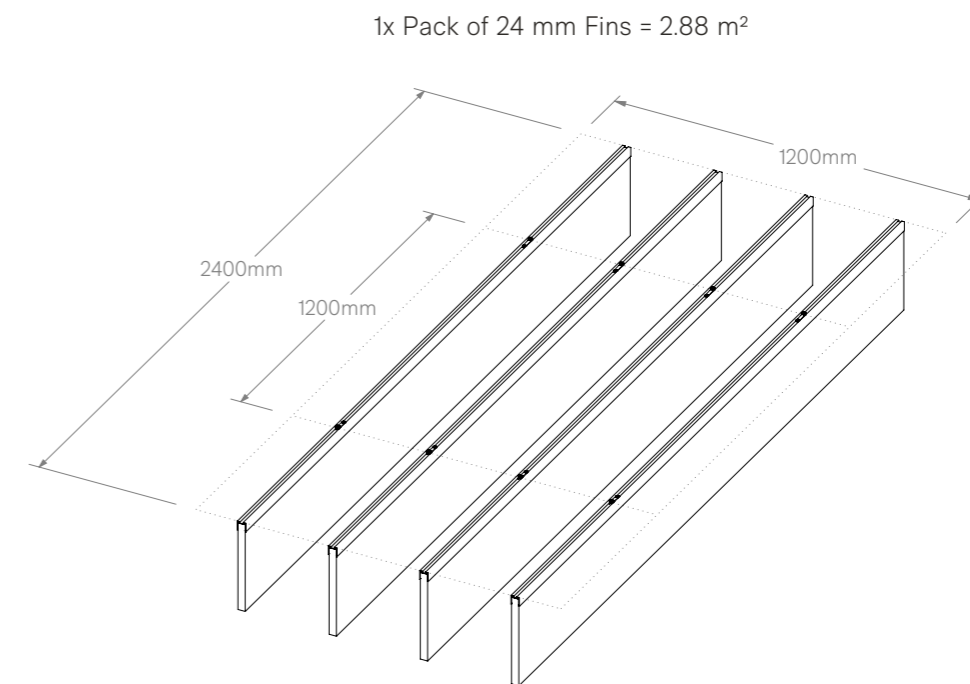
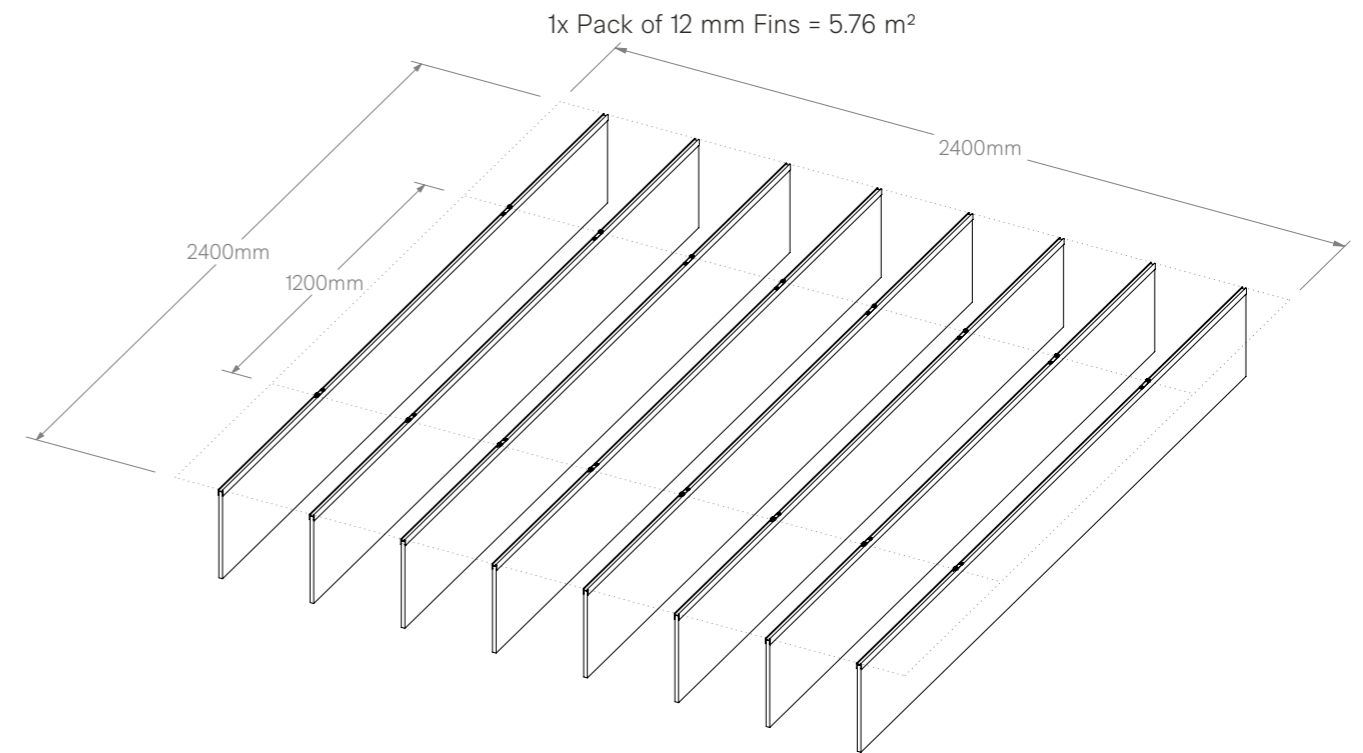
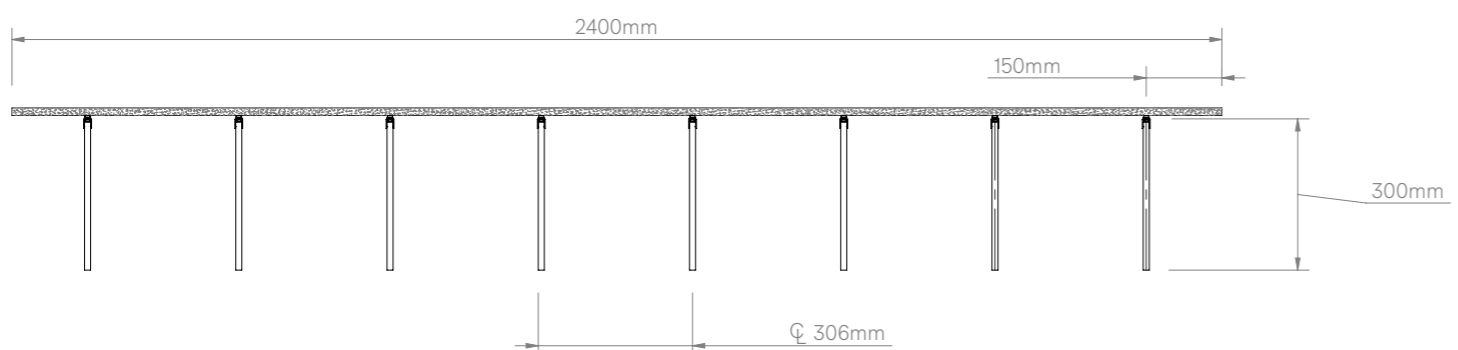
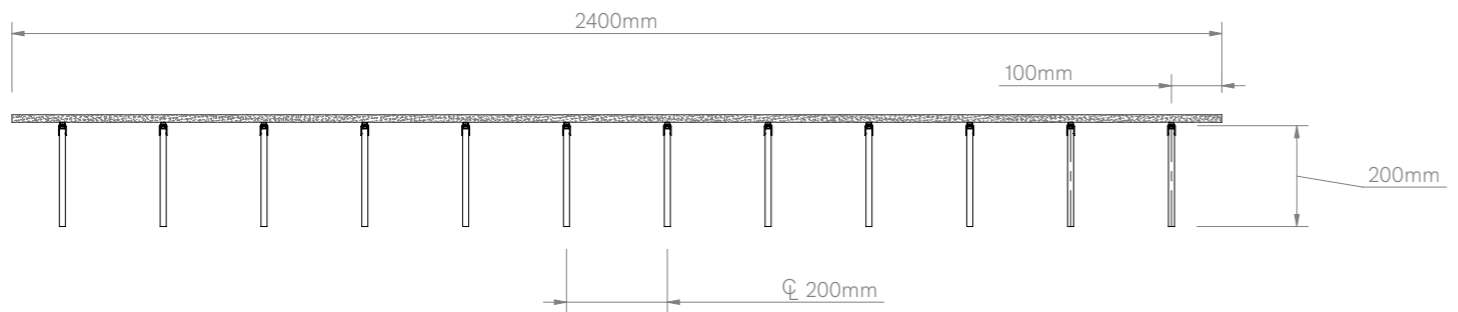
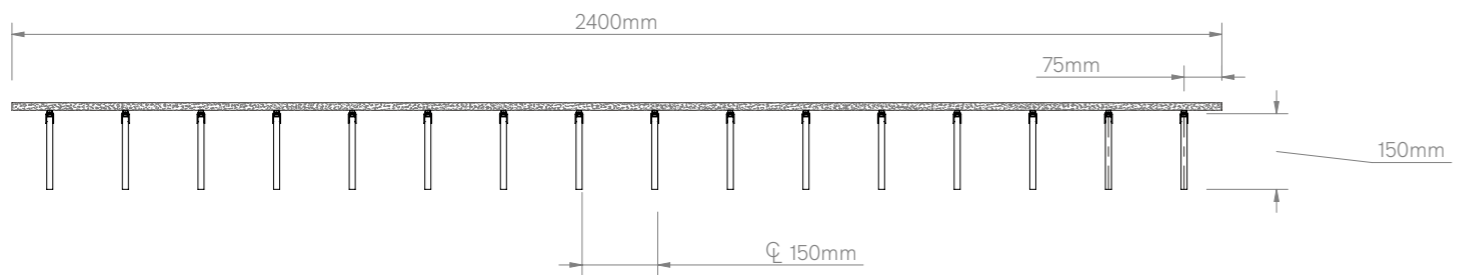
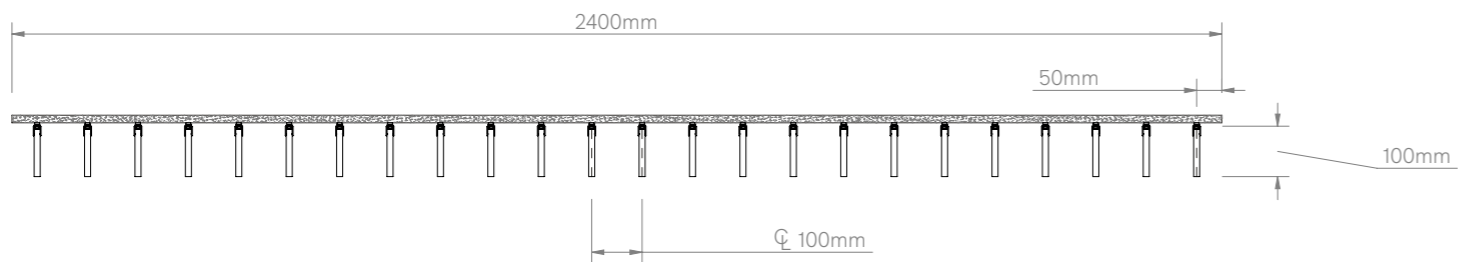
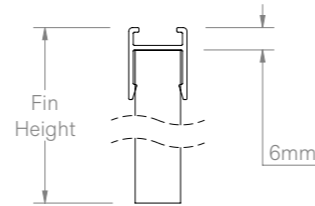


NOTES

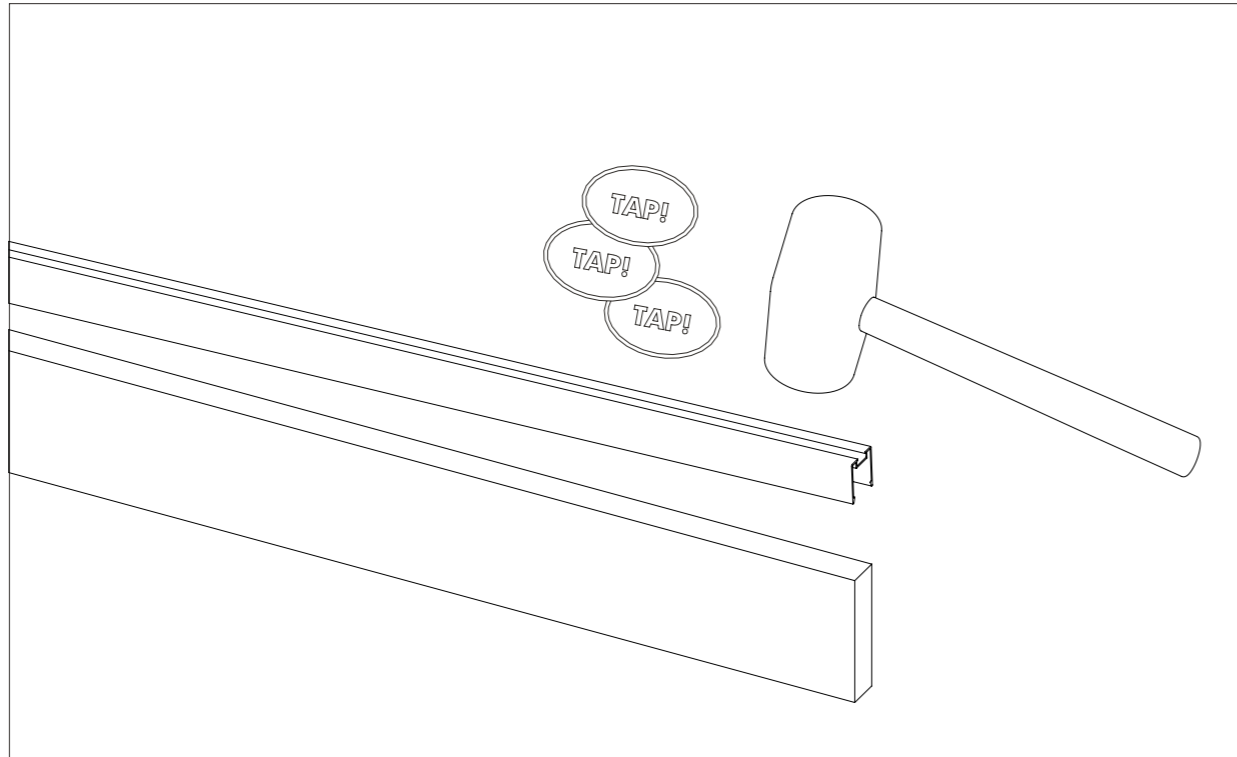
- Recommended guide for listed ceiling coverage is for the fin spacing to be equal to the fin height.

- Fin height is inclusive of the Autex Frontier Extrusion

FIN SPACING = FIN HEIGHT

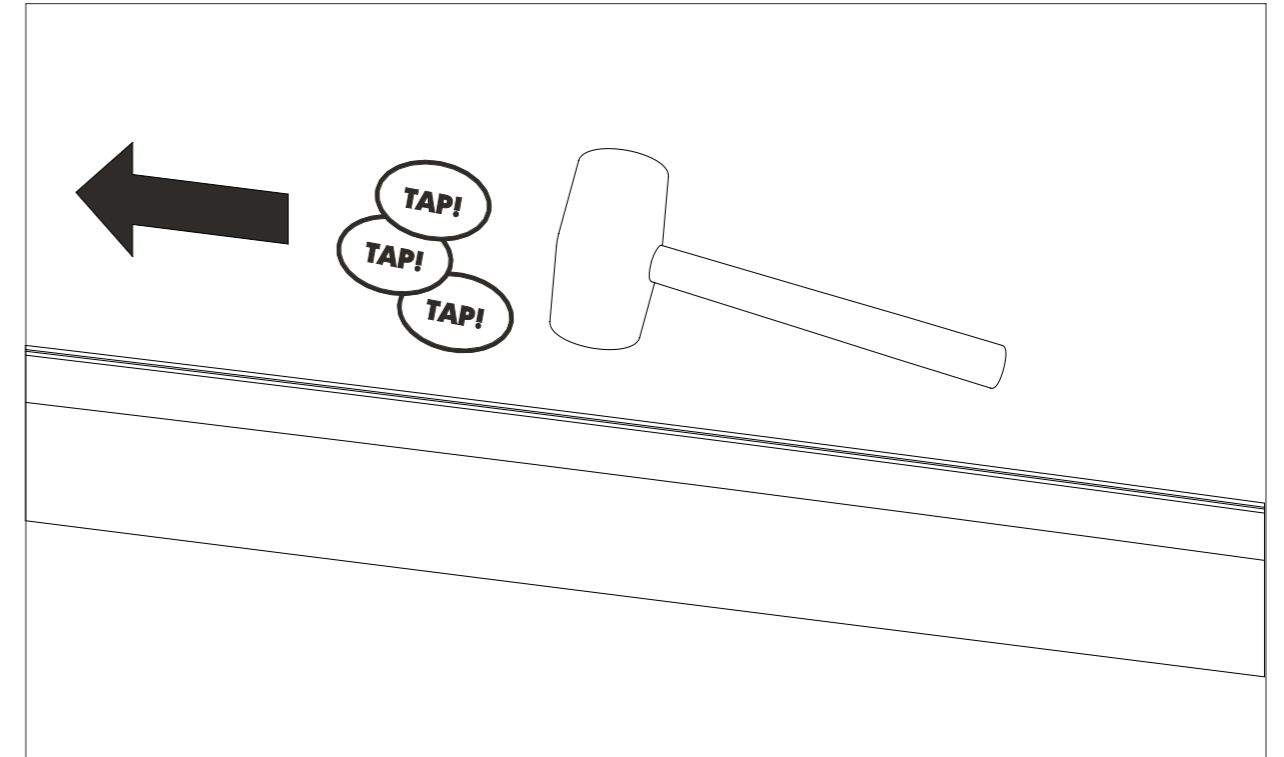


1.



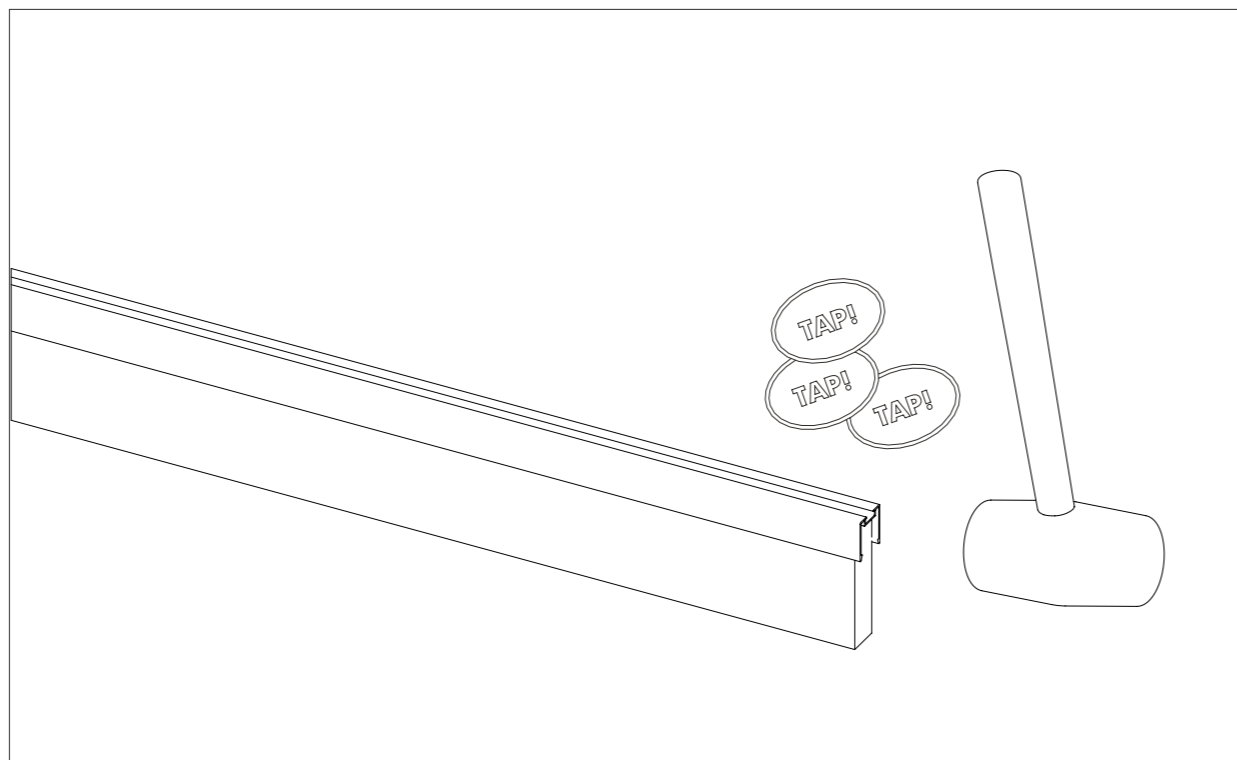
Using a rubber mallet, seat the channel onto the fin.

2.



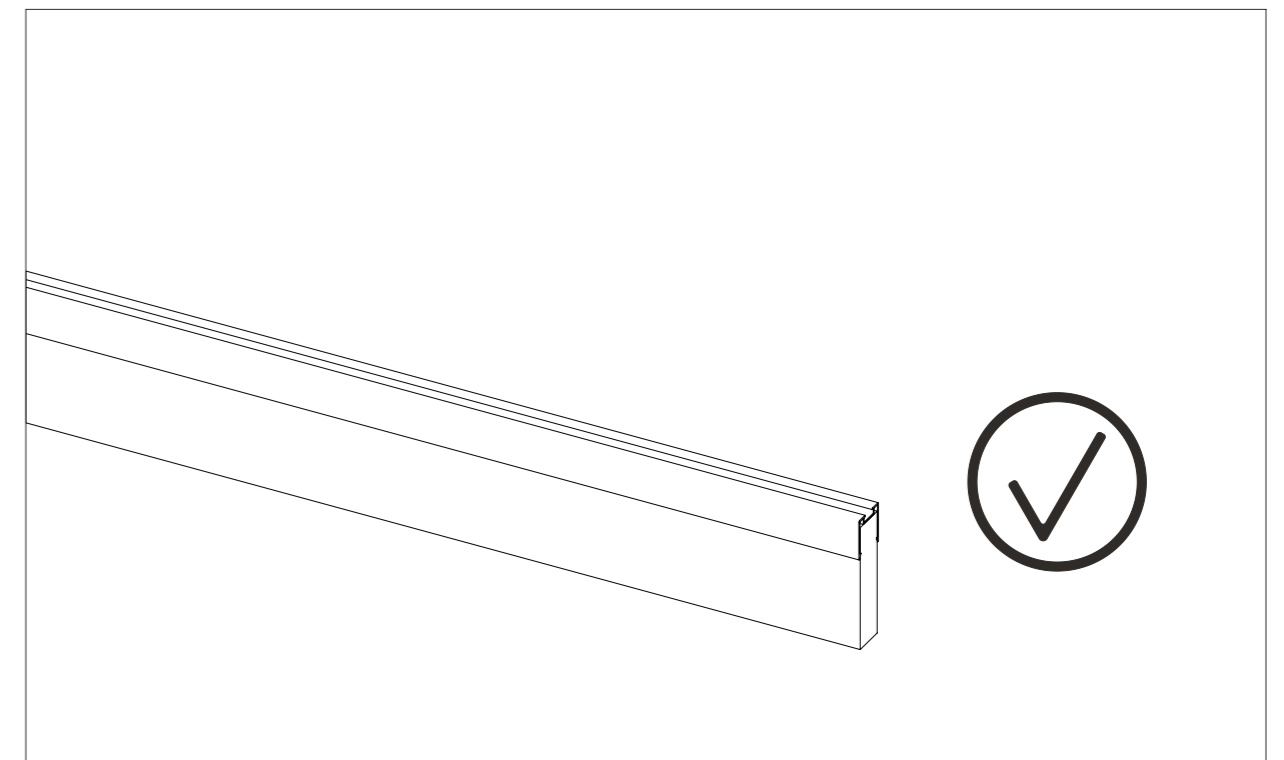
Starting at one end and using the mallet, tap along the length of the channel to ensure there is no bowing in the centre and the channel is seated correctly.

3.



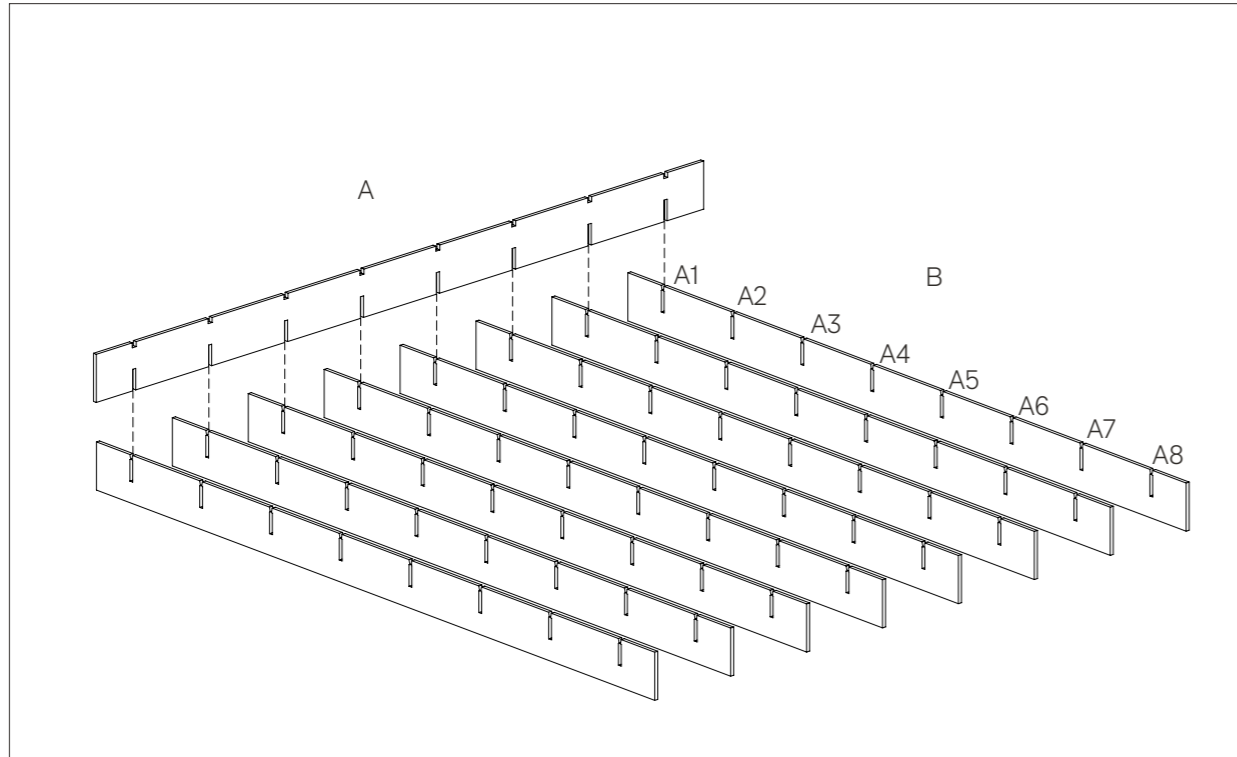
Ensure the end of the channel is aligned with the Frontier Fin by tapping the overhanging end of the extrusion.

4.



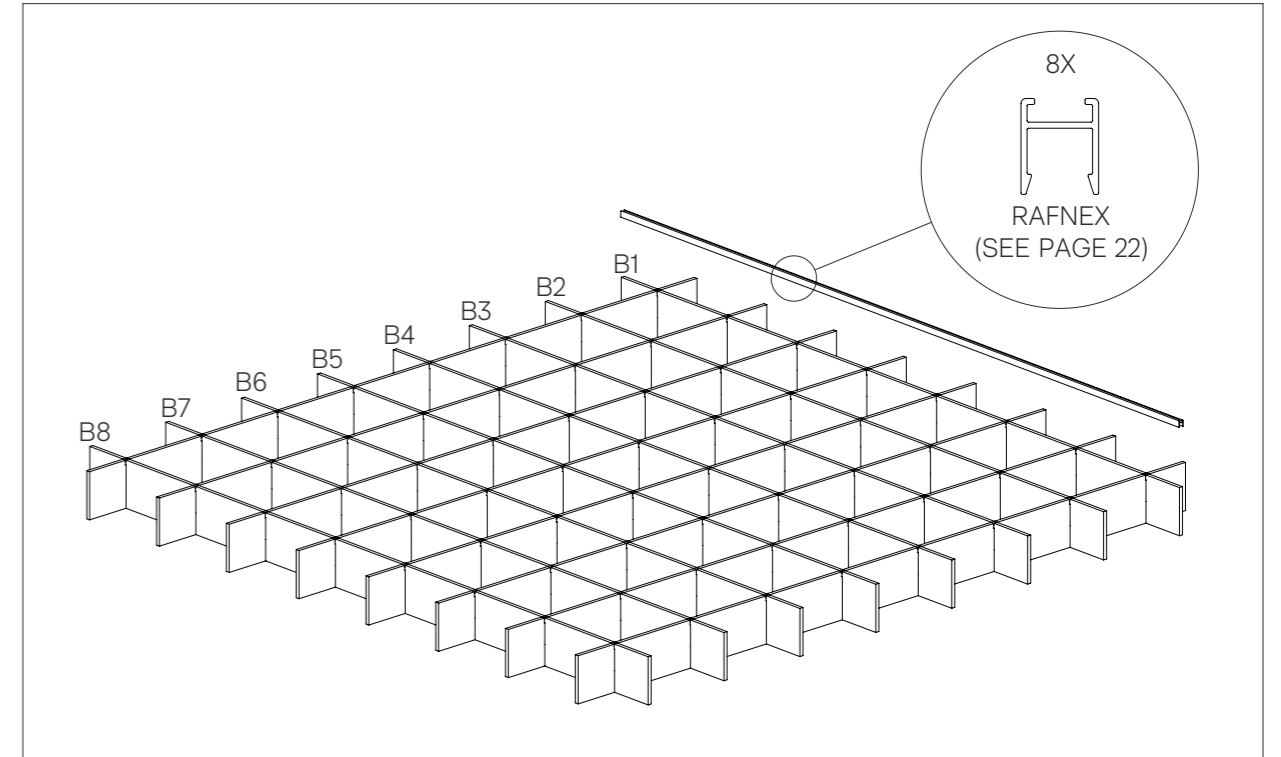
The Frontier Fin is now ready for installation to the ceiling.

1.



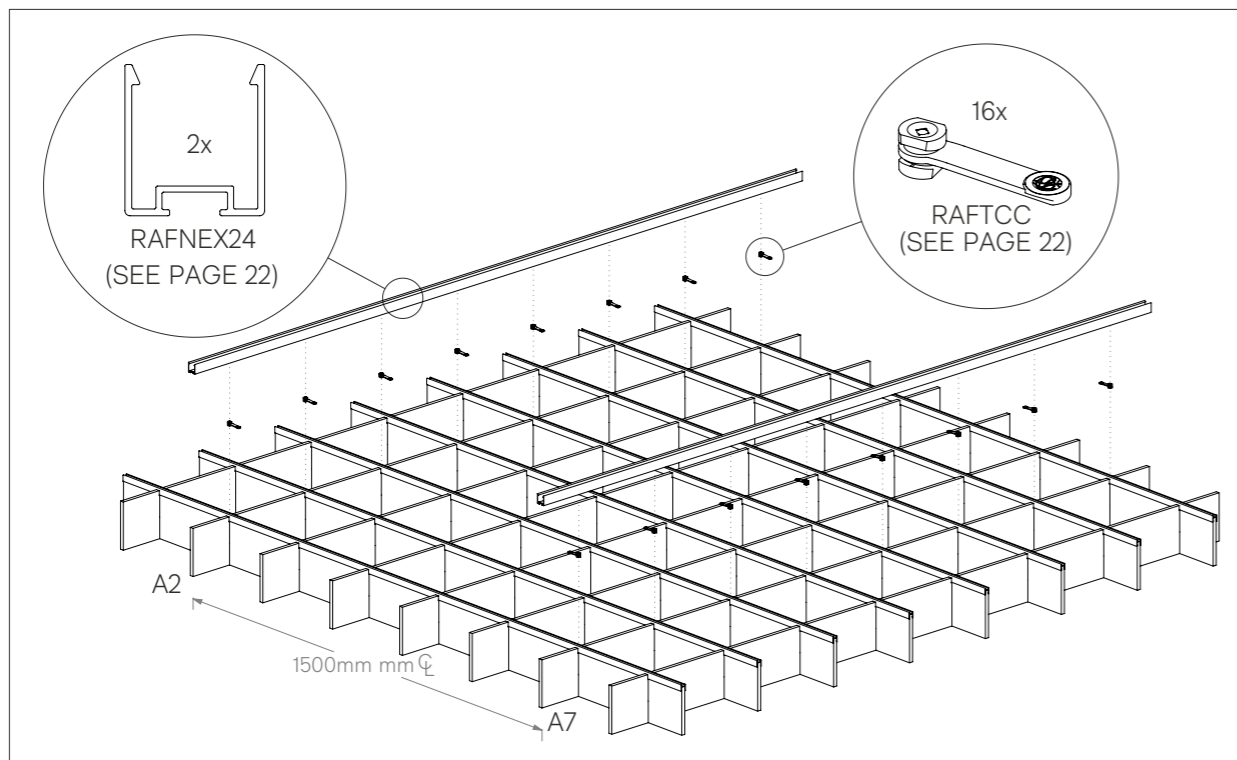
In the Frontier Axis pack there are two types of Fin (A & B). Part A has two notches and the small notch should be facing up when inserted into Part B.

2.



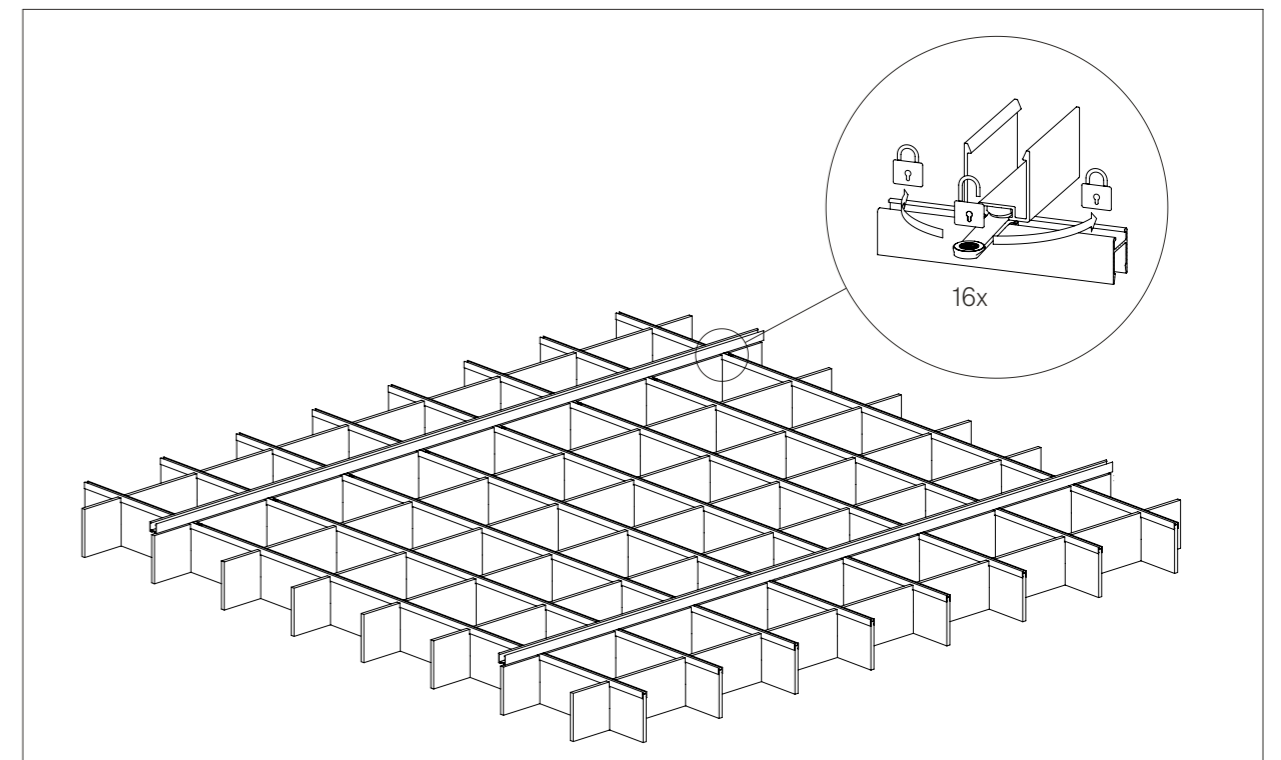
Using a rubber mallet, attach the 8x Rafnex channels along the lengths of the 'B' fins to lock the Axis Fins together in a grid.

3.



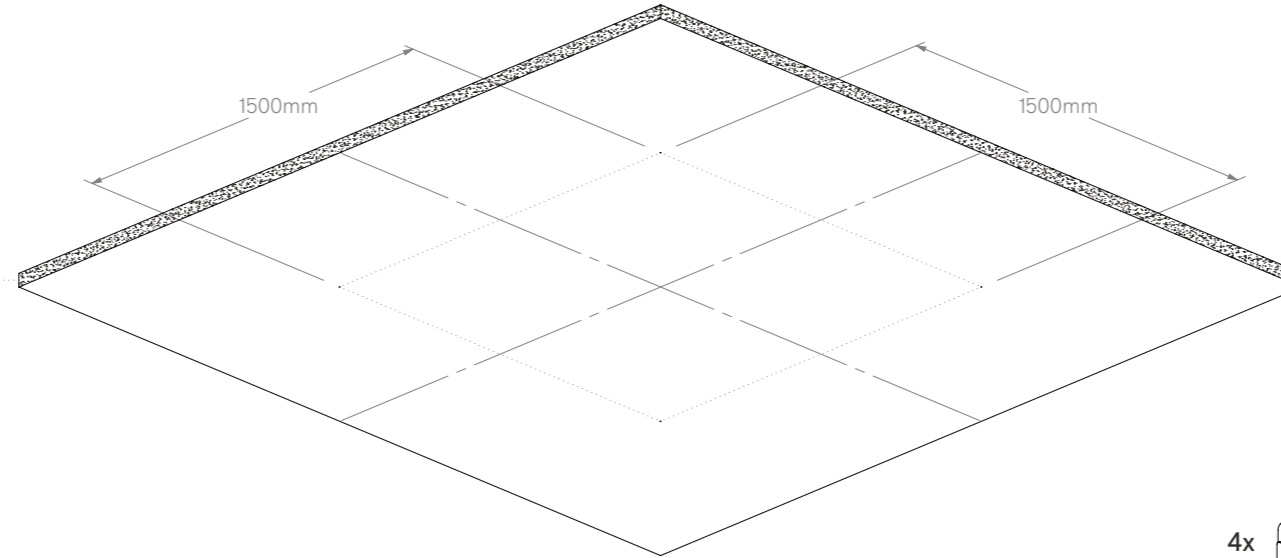
To attach the included 2x RAFNEX24 cross rails, first clip the 16x Autex Mounting Clips at the intersection points along the A2 & A7 Rails. Press the Crossrail onto the clips so they click into place.

4.

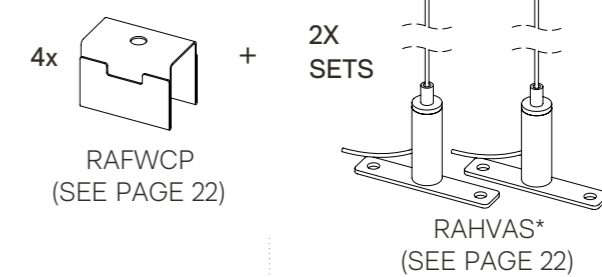
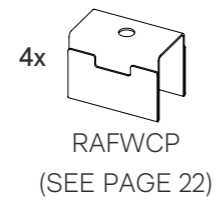


Twist the Autex Mounting Clips 90deg to lock them off. The Frontier Axis Grid is now ready for installation to the ceiling.

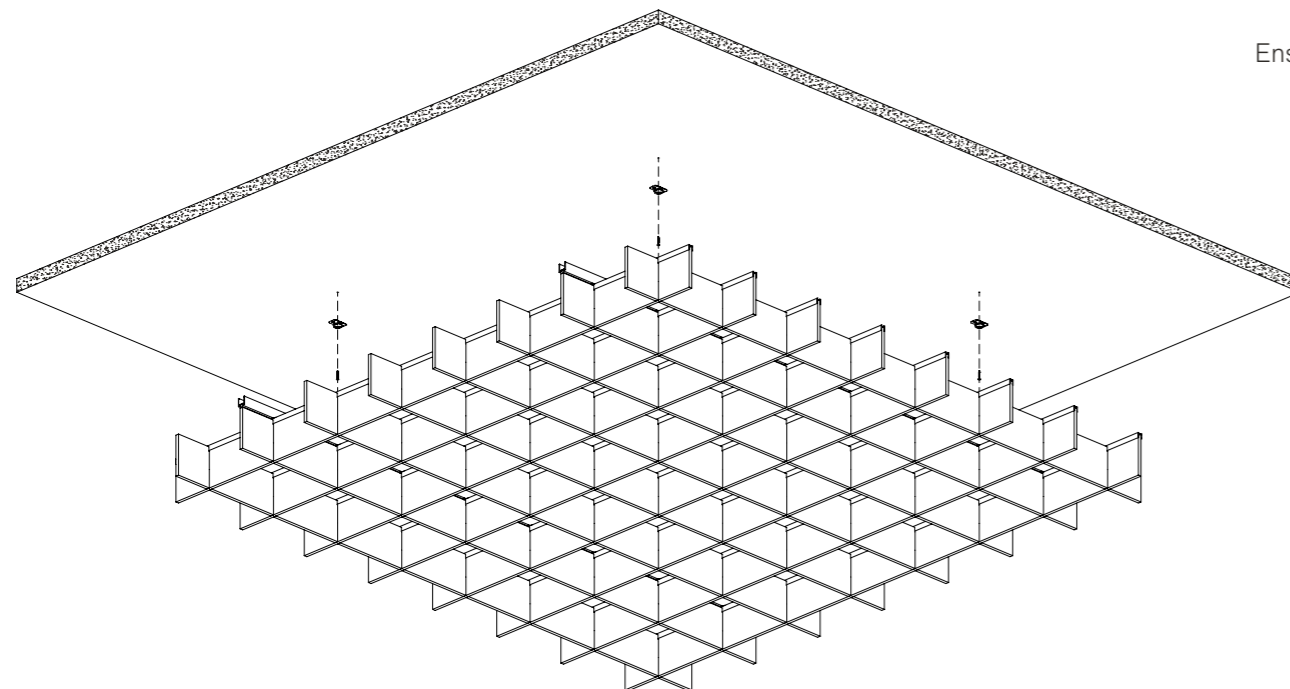
CEILING SETOUT



*Can be replaced by a rigid suspension set if required. See pages 23-28 for suggested details

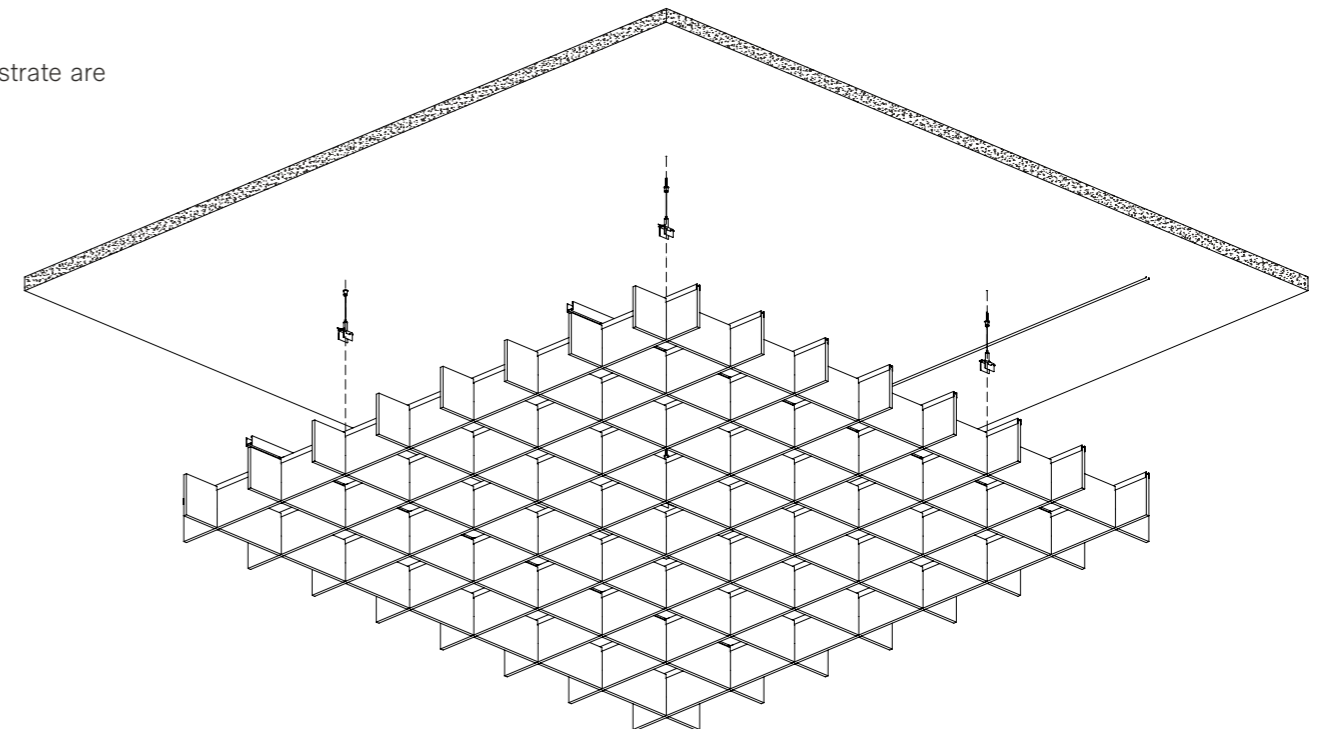


DIRECT FIX TO CEILING



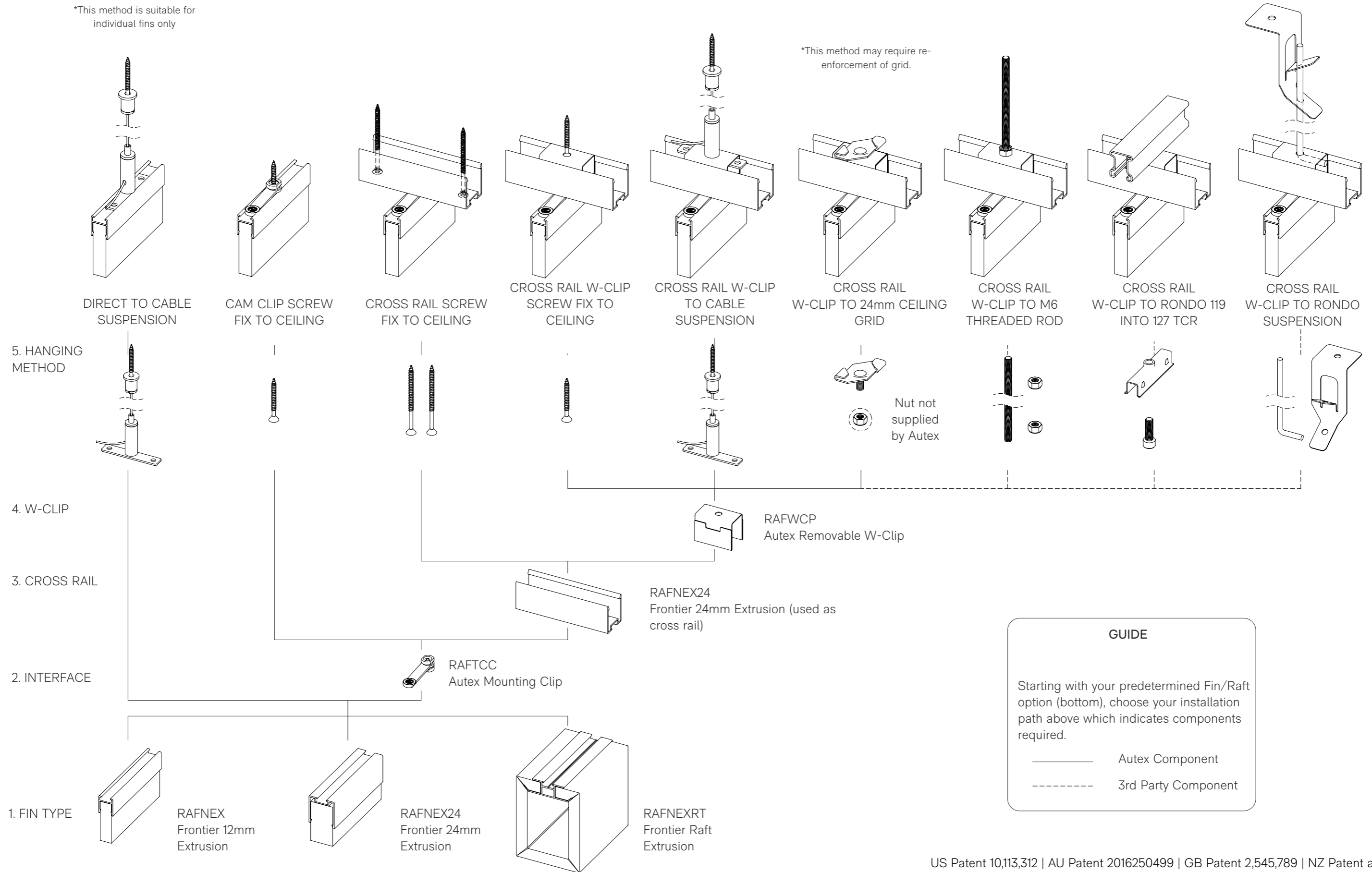
Ensure suitable fasteners for substrate are used
(NOT SUPPLIED)

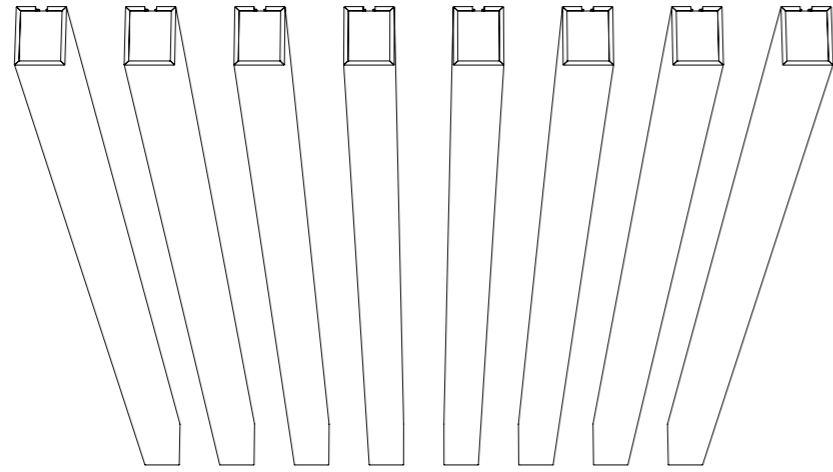
SUSPENDED FROM CEILING



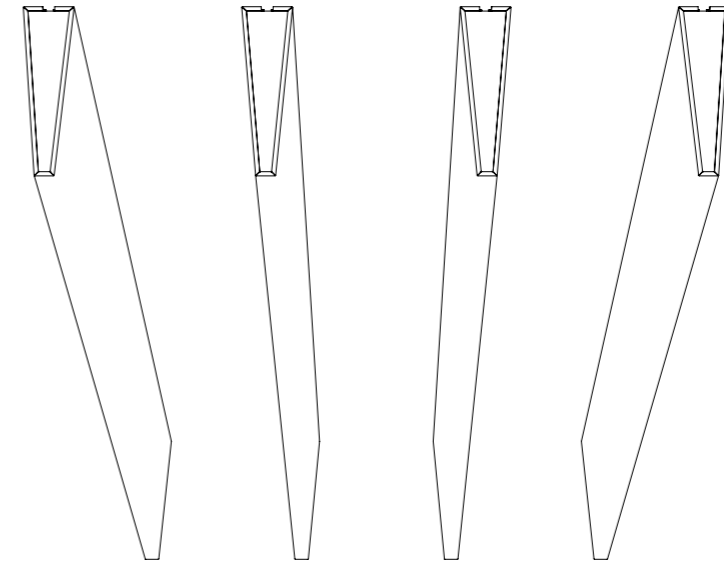
*This method is suitable for individual fins only

*This method may require re-enforcement of grid.

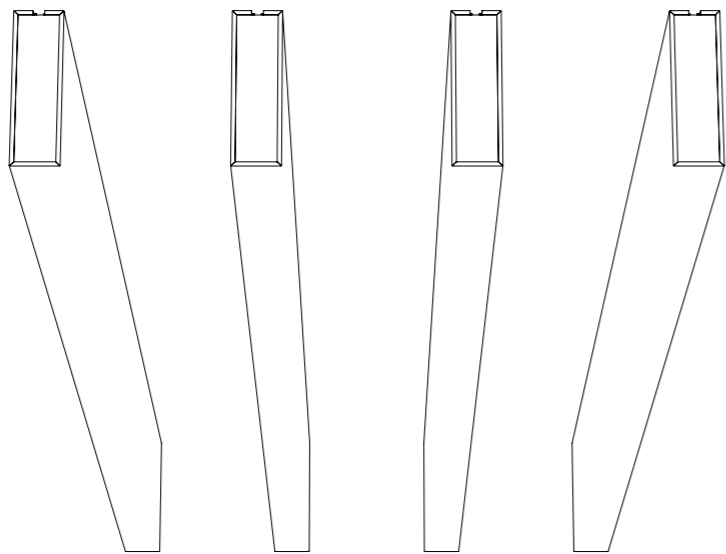




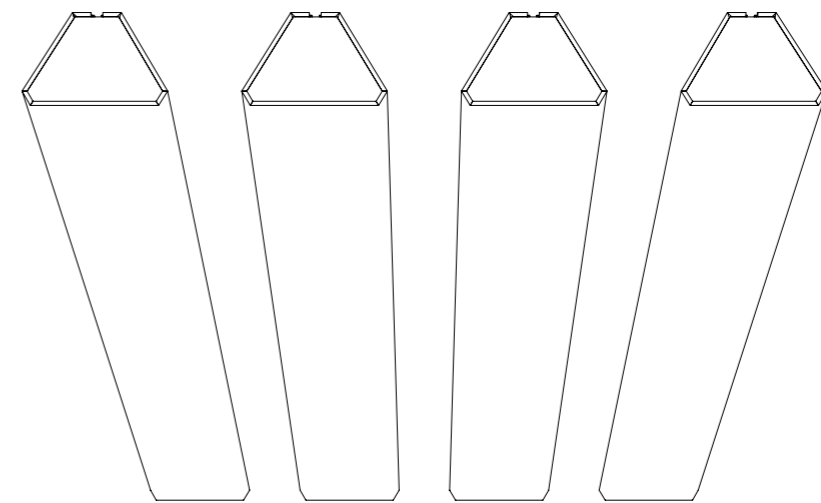
RAFT BEAM 100
1X PACK SHOWN



RAFT BLADE
1X PACK SHOWN

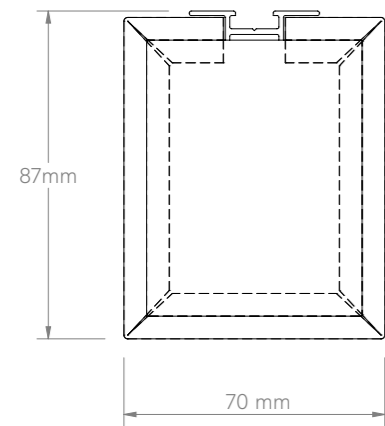


RAFT BEAM 250
1X PACK SHOWN

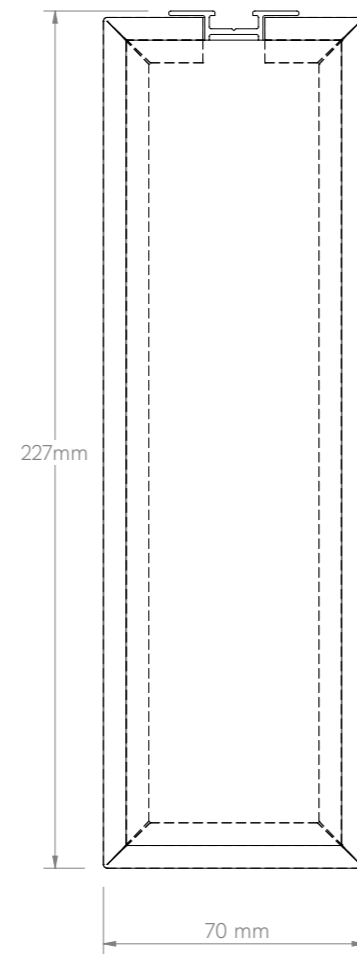


RAFT TRAPEZOID
1X PACK SHOWN

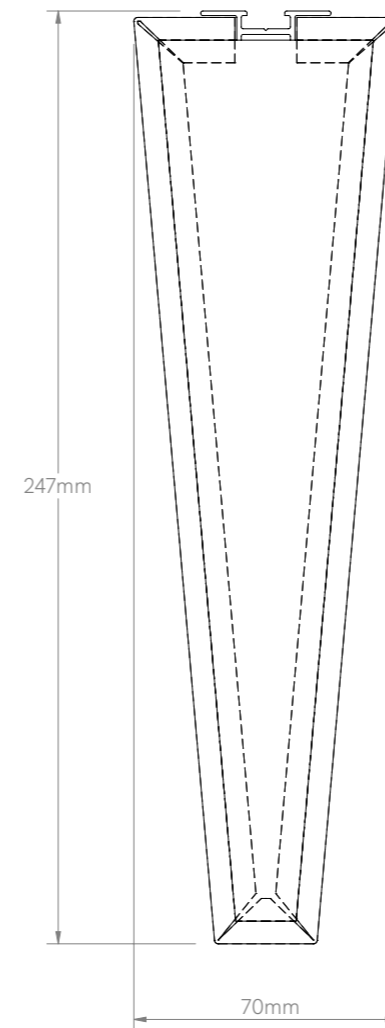
BEAM 100



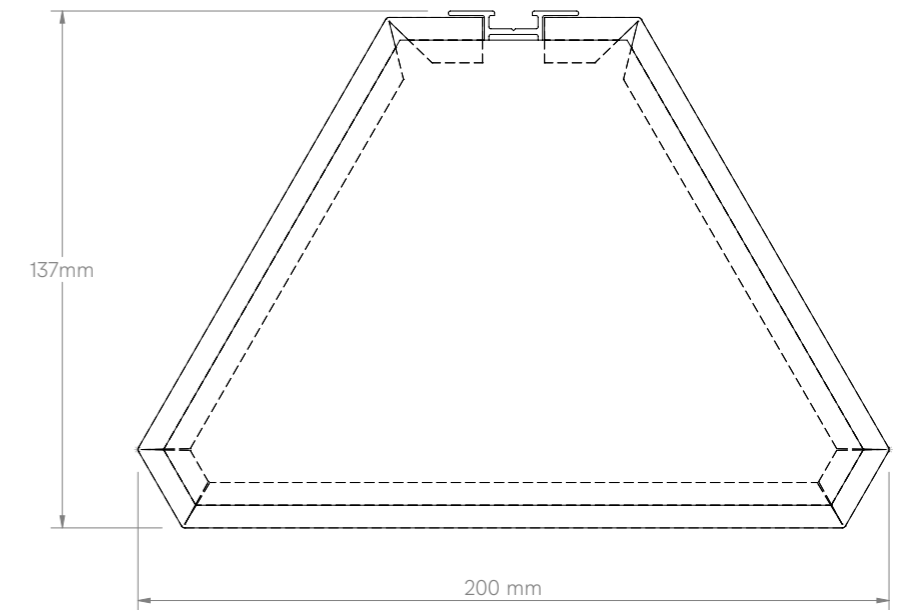
BEAM 250



BLADE

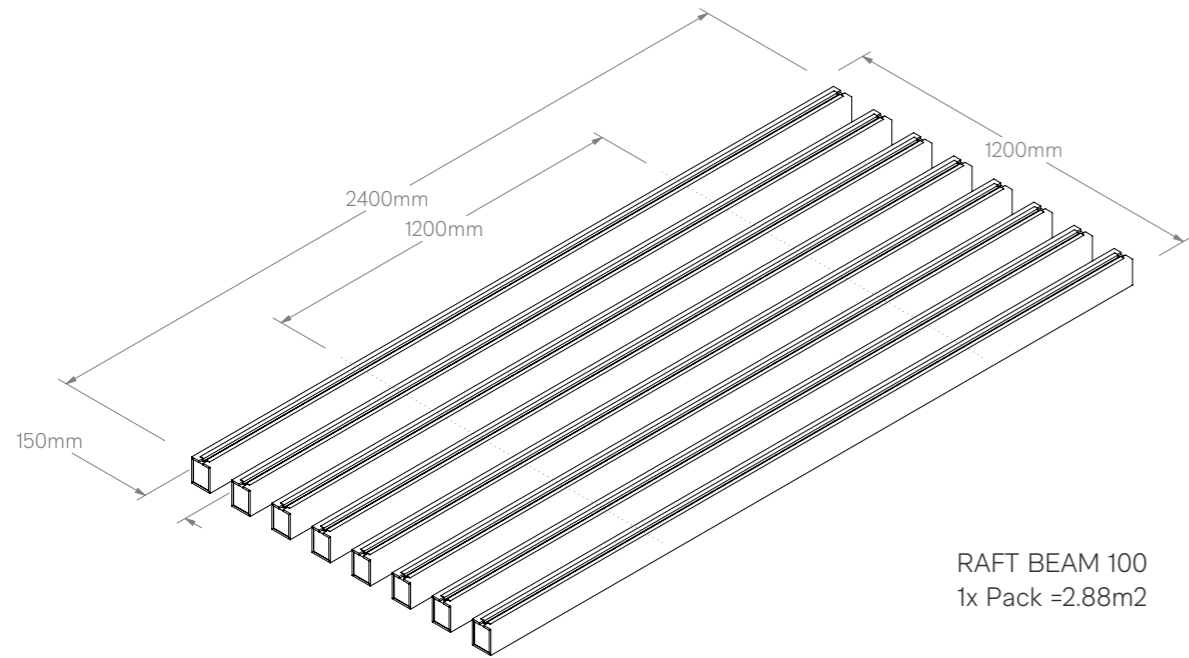


TRAPEZOID

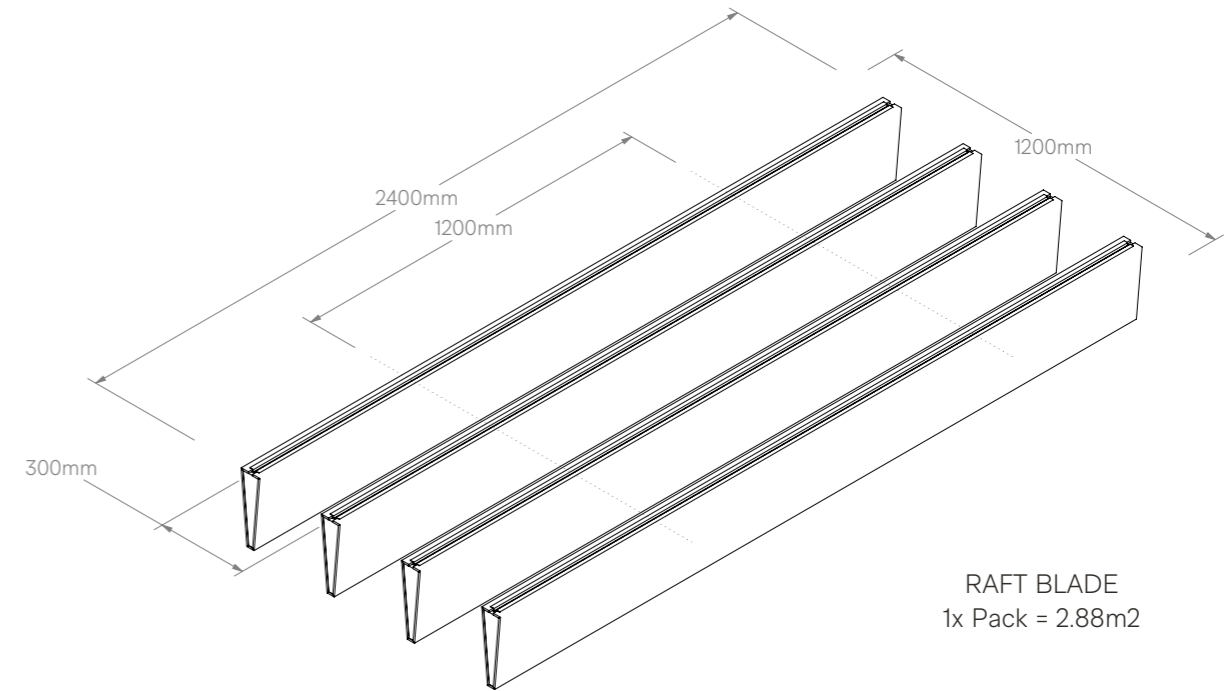


NOTES

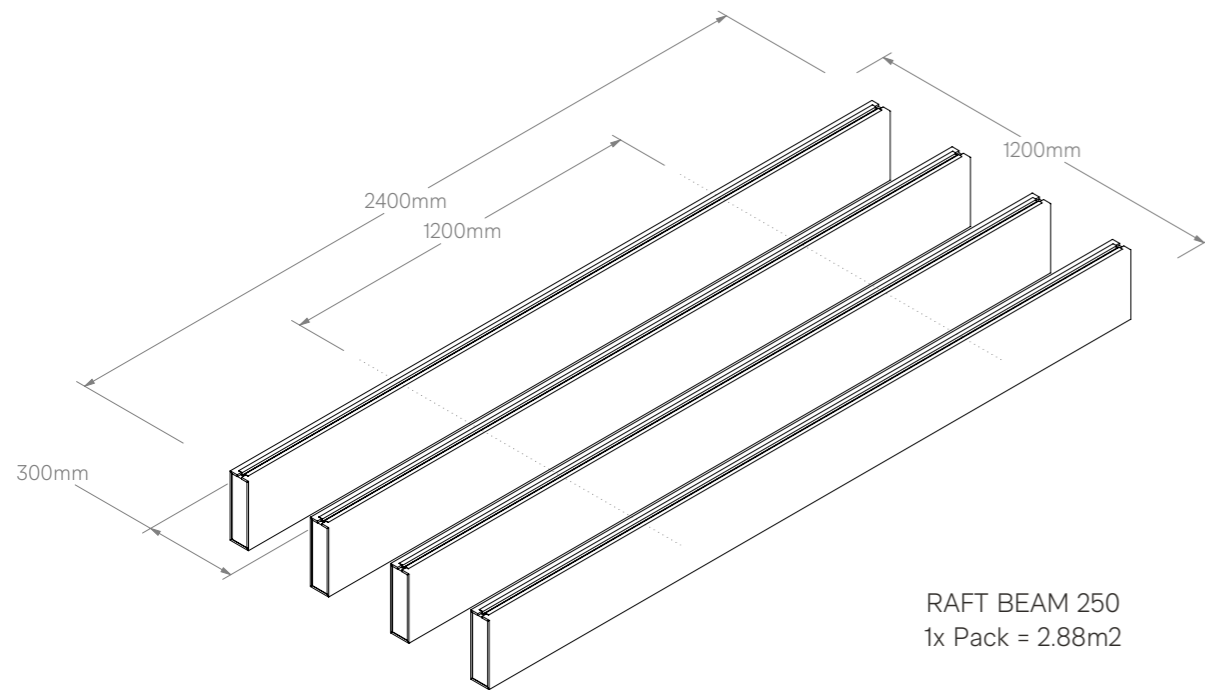
- Raft height is inclusive of the Autex frontier Raft Extrusion
- Refer to page 19 for recommended Raft spacing (X).



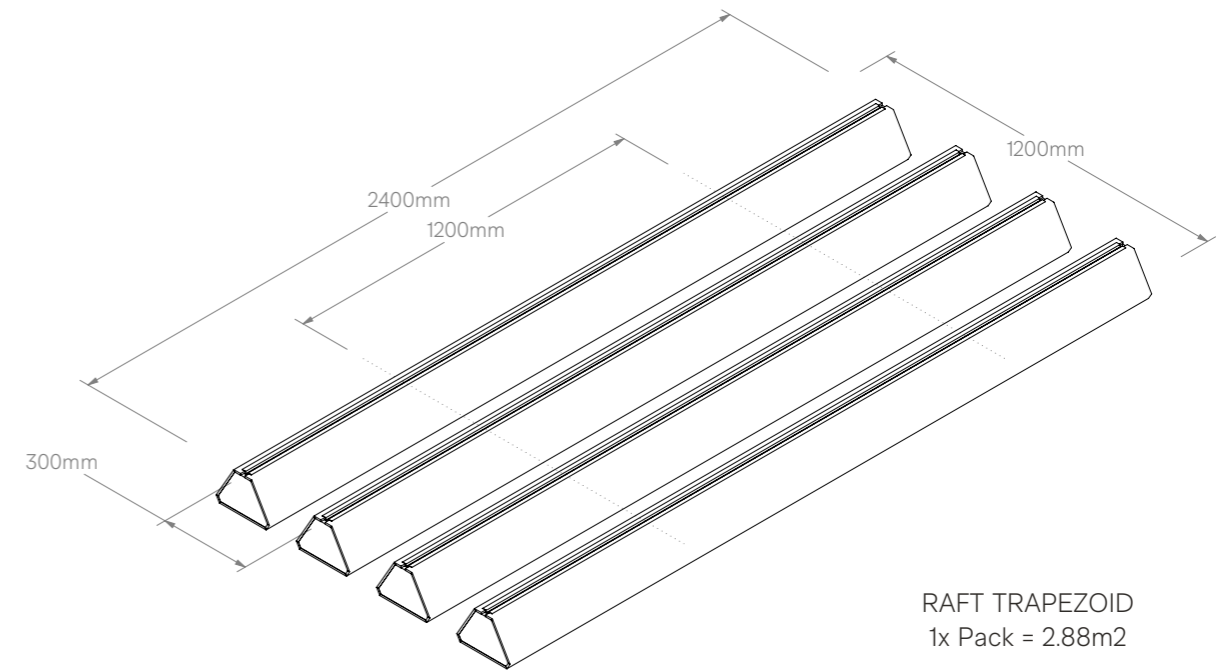
RAFT BEAM 100
1x Pack = 2.88m²



RAFT BLADE
1x Pack = 2.88m²

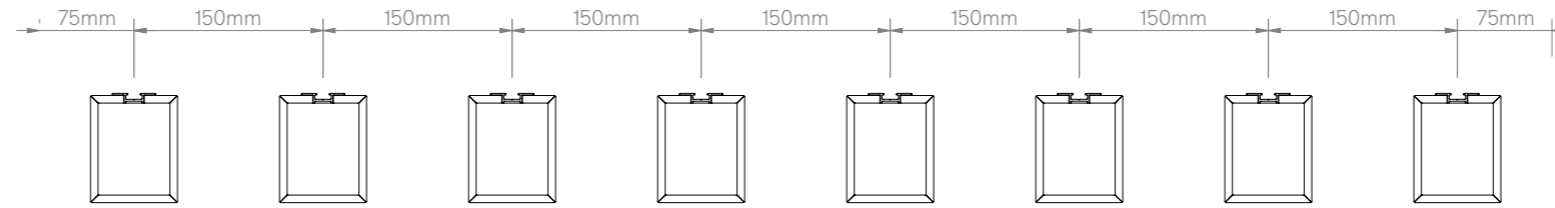


RAFT BEAM 250
1x Pack = 2.88m²

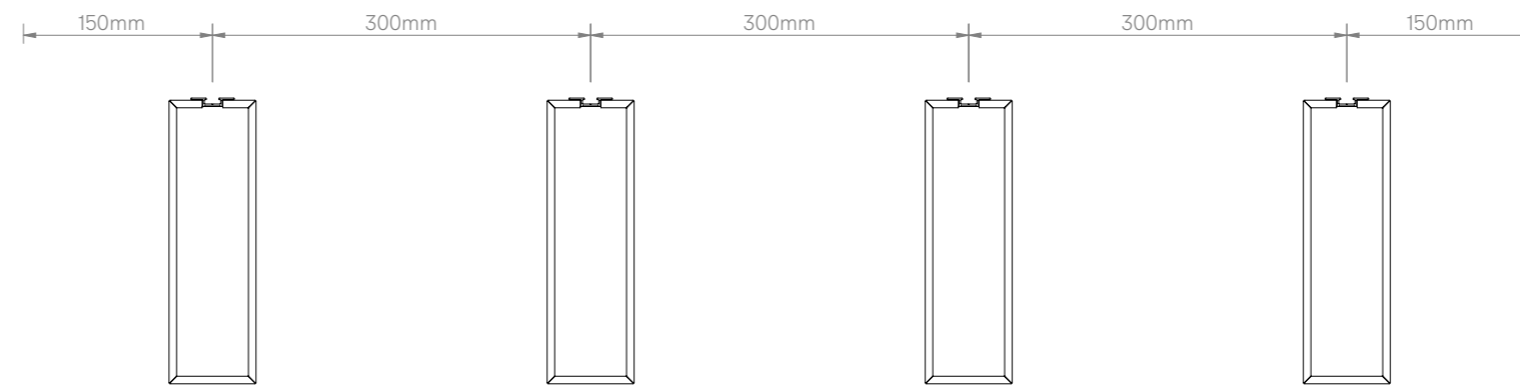


RAFT TRAPEZOID
1x Pack = 2.88m²

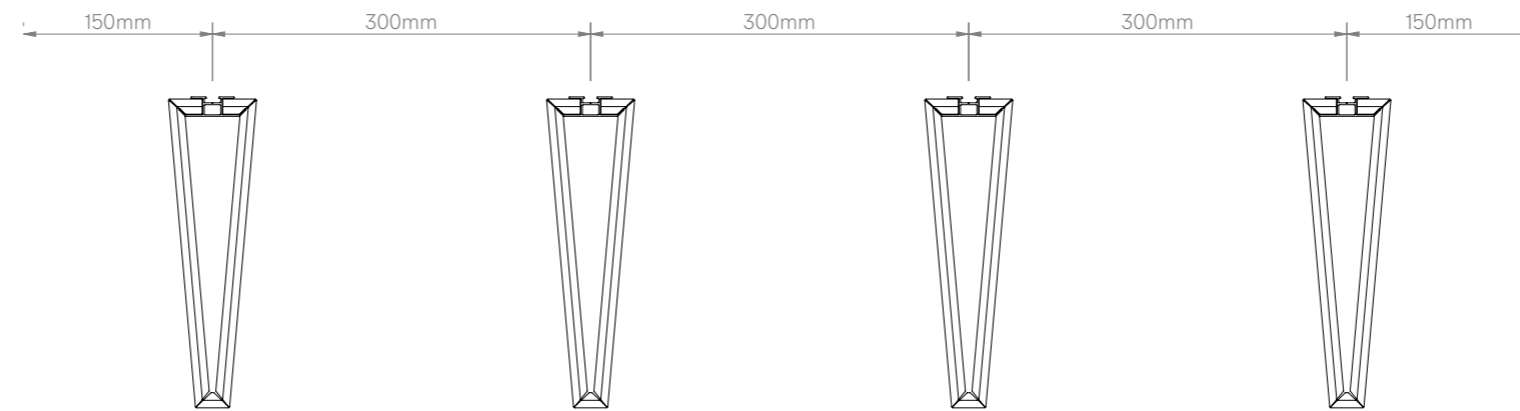
BEAM 100



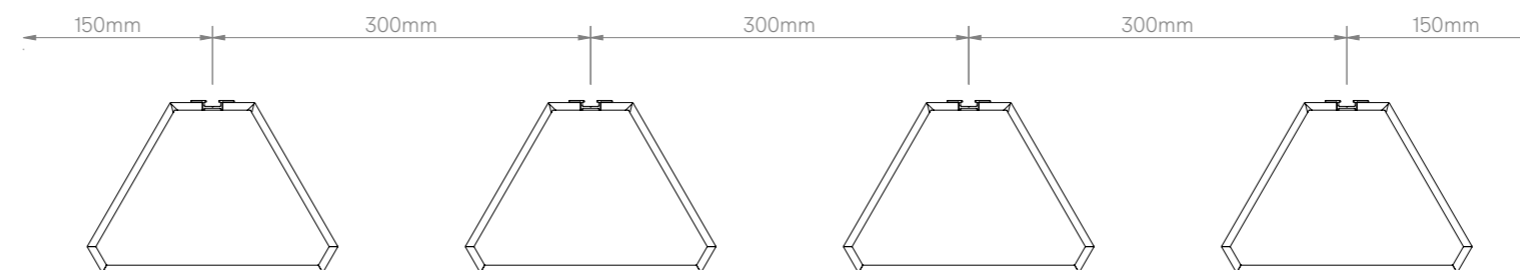
BEAM 250



BLADE



TRAPEZOID

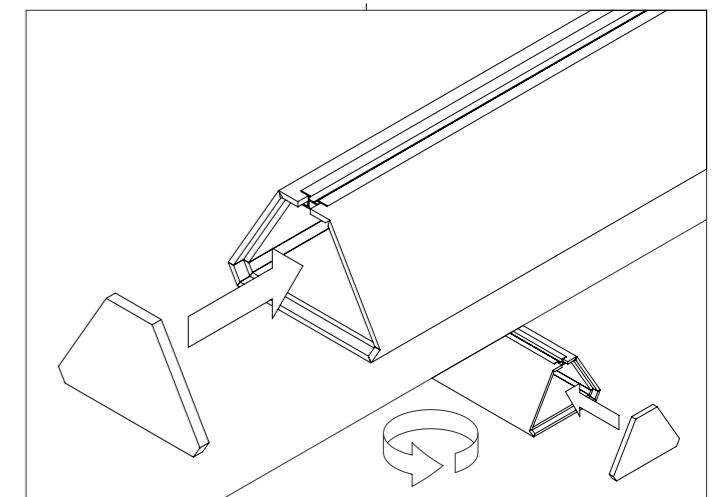
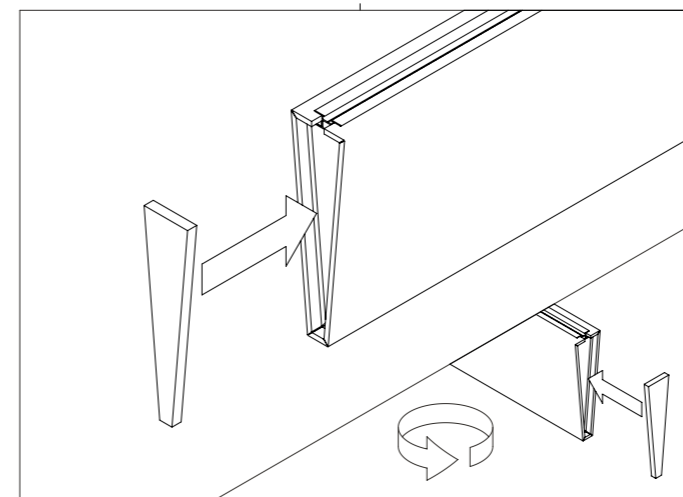
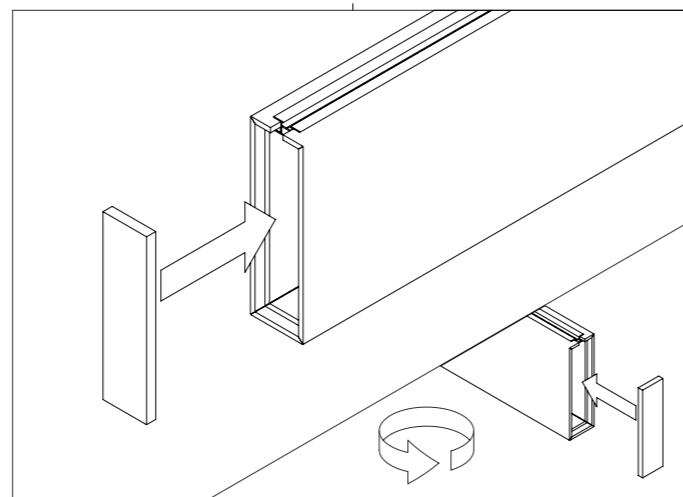
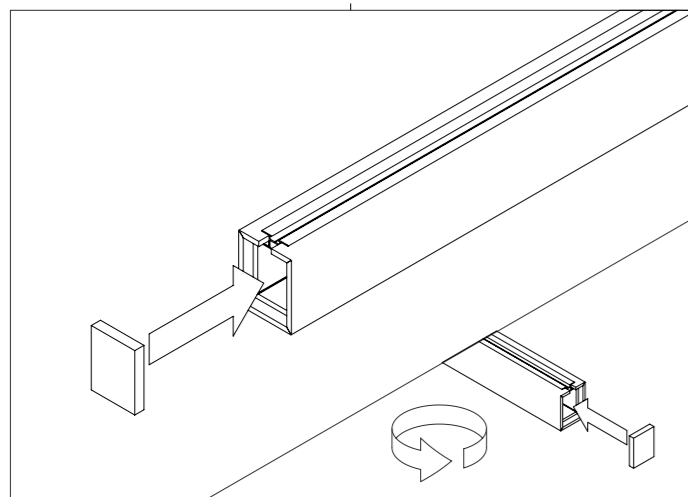
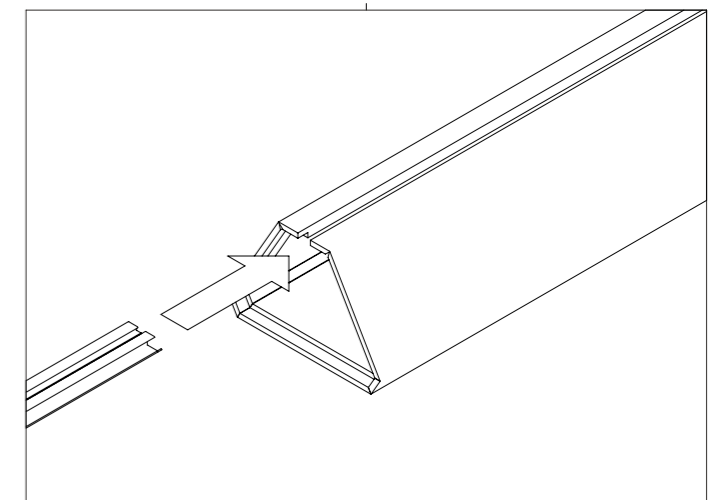
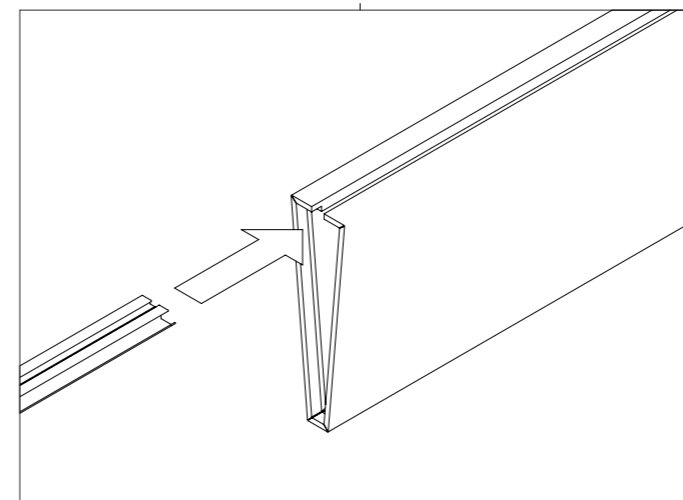
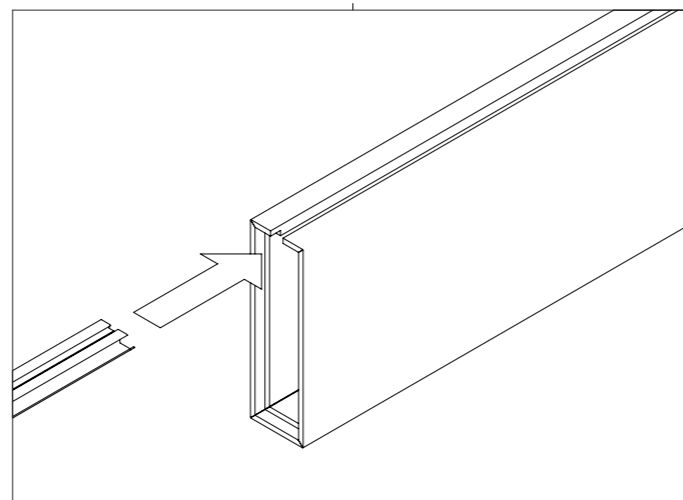
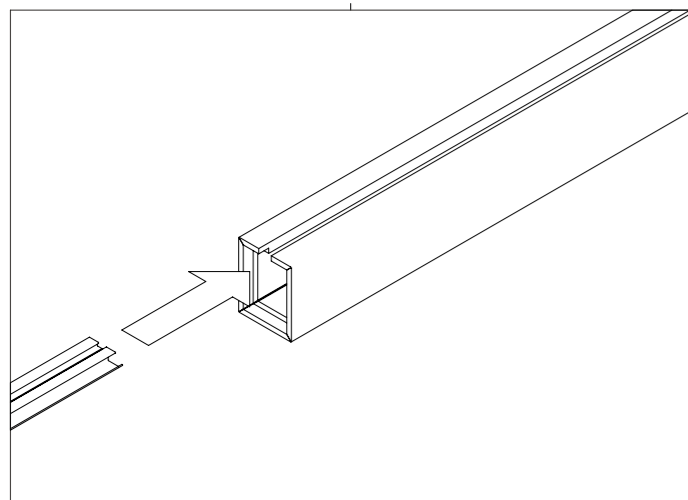
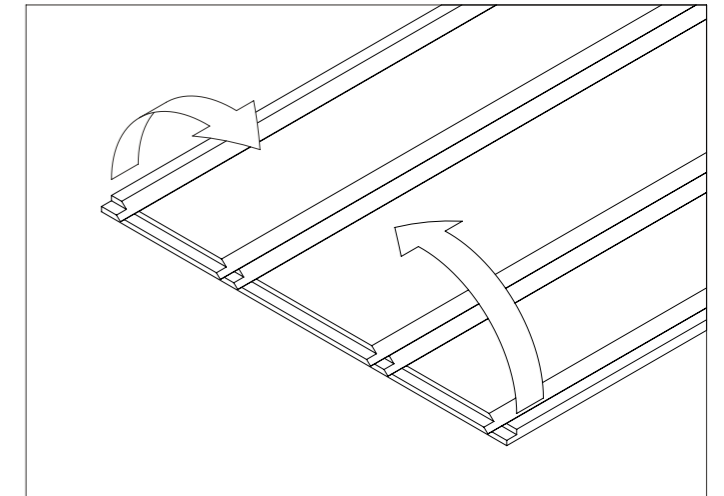
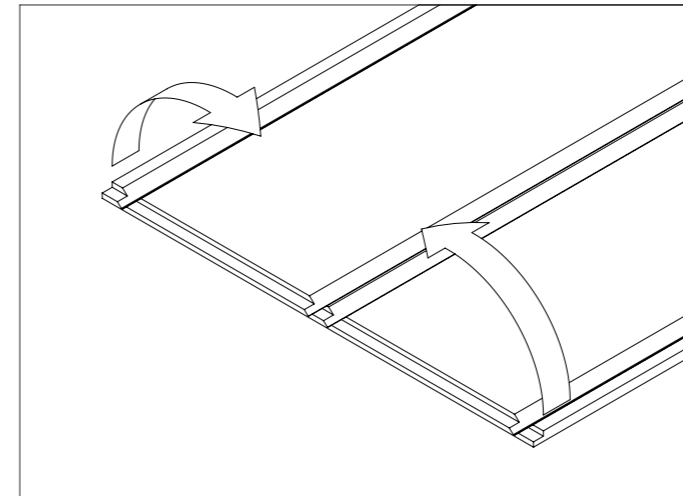
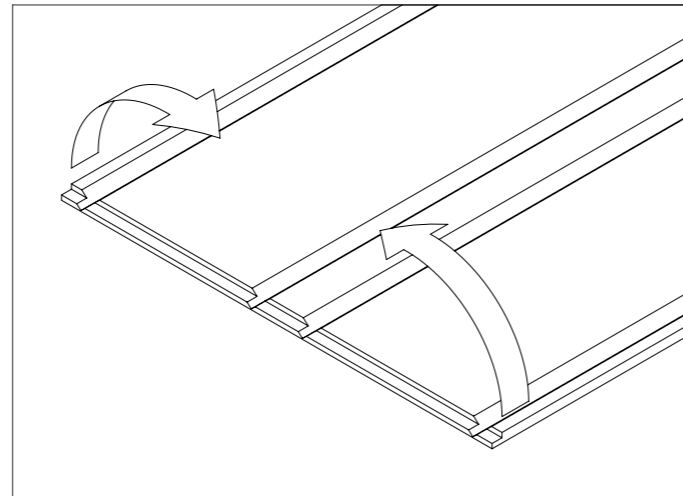
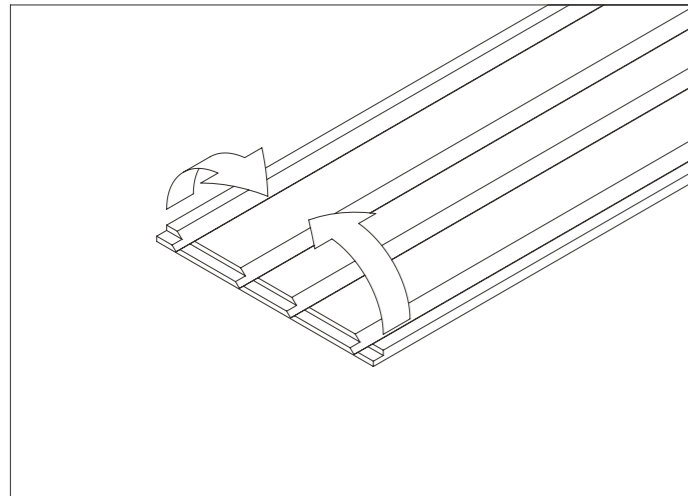


BEAM 100

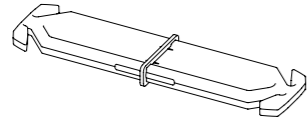
BEAM 250

BLADE

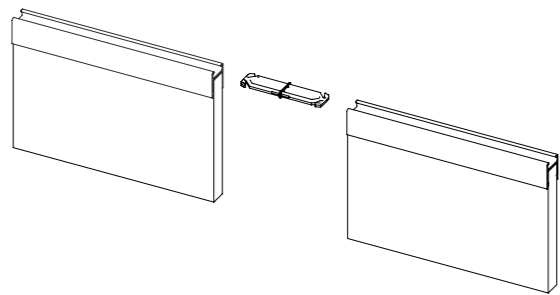
TRAPEZOID



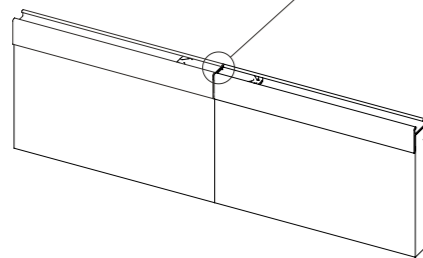
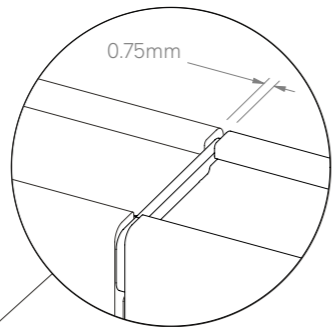
RAFCCCT



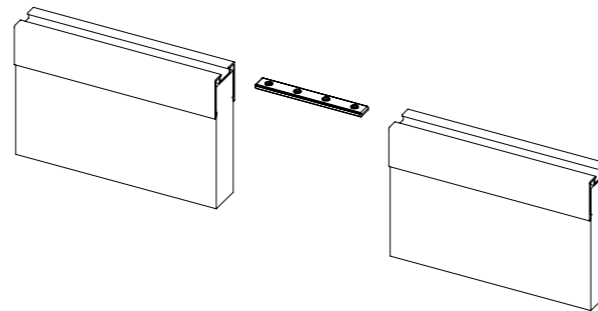
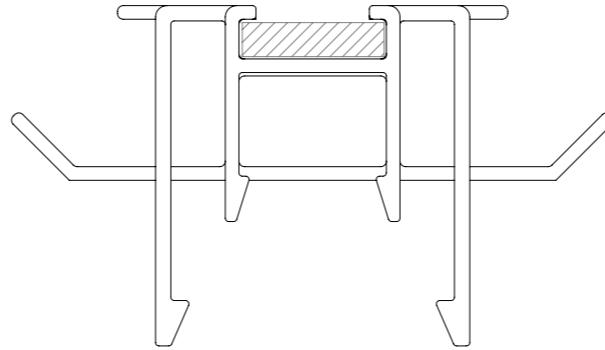
Light duty plastic connector used to join direct fixed rails.



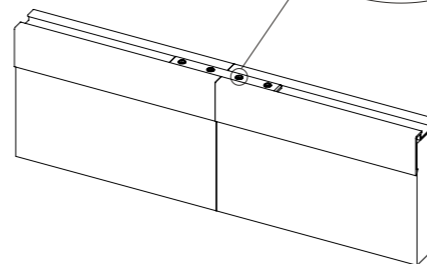
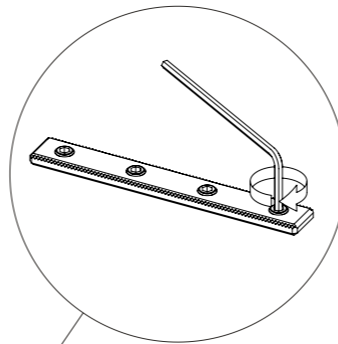
NOTE: A gap smaller than 1 mm will be present between the extrusions.



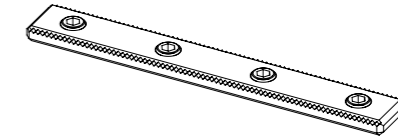
Both joiners are compatible with all extrusion sizes



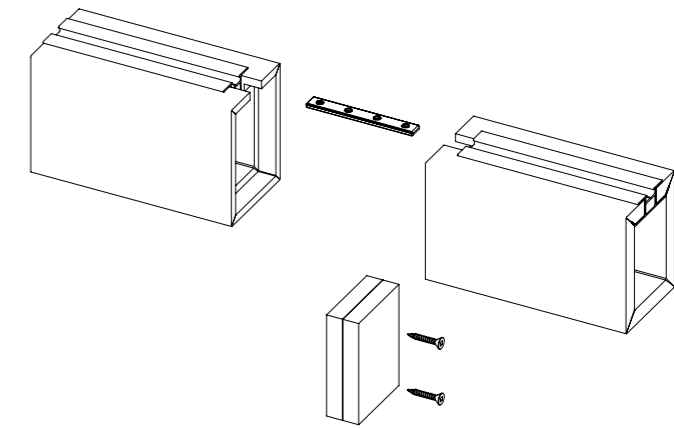
NOTE: Grub screws to be tightened to secure joiner in place.



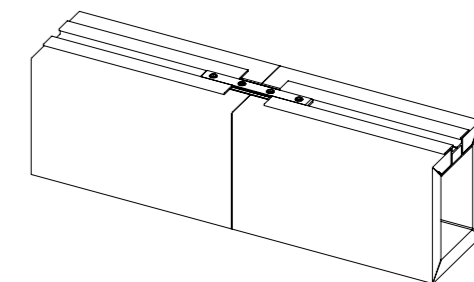
RAFHDCC



Heavy duty diecast connector with 4x grub screws used to join cross rails and/or suspended rails.

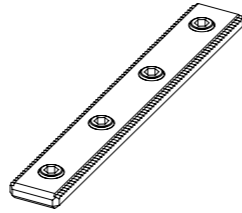


NOTE: In addition to joiner, screw the end caps together to create a cleaner join

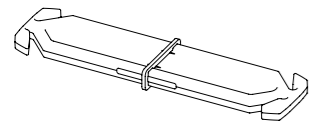




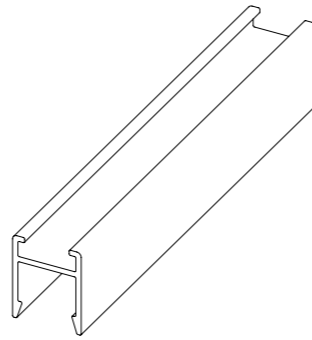
RAFTCC
Autex Mounting Clip



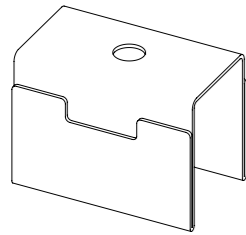
RAFHDCC
Autex Heavy Duty Frontier
Channel Connector with
4x M5 Grub Screws



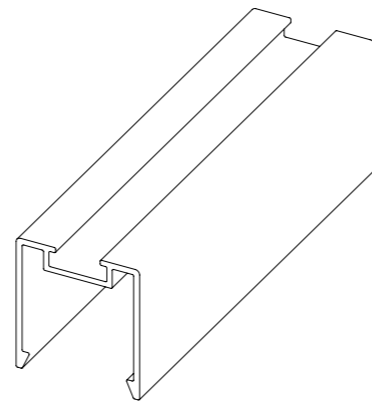
RAFCCT
Autex Frontier Channel Connector



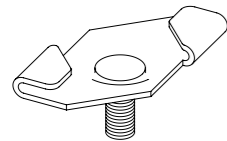
RAFNEX
Frontier 12mm Extrusion



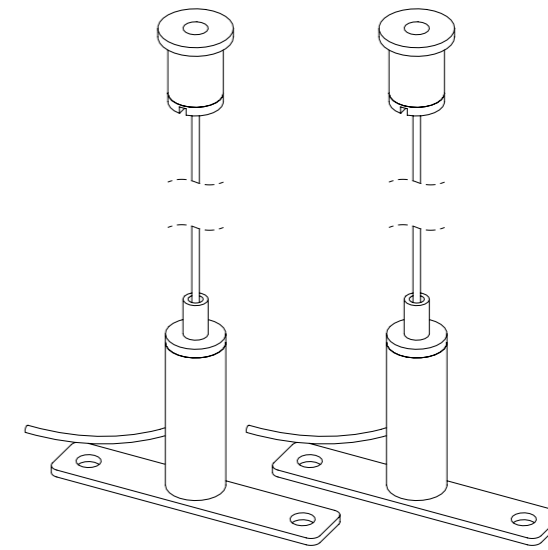
RAFWCP
Autex Removable W-Clip



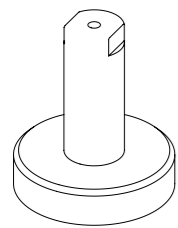
RAFNEX24
Frontier 24mm Extrusion



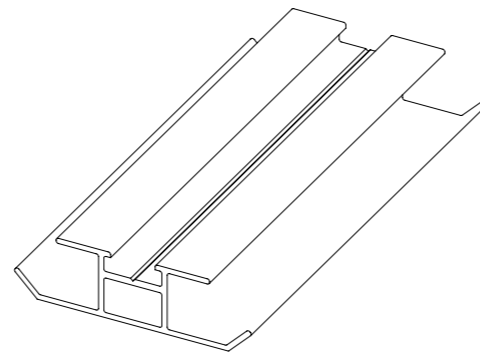
RAFM6GC
24mm Ceiling Grid Connector with
M6 Thread



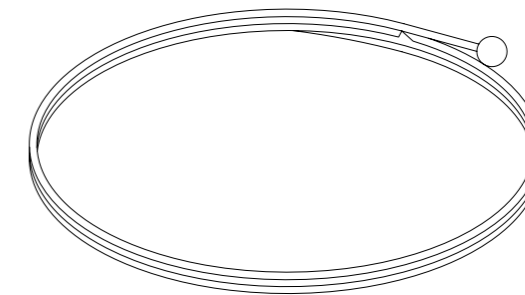
RAHVAS
Autex Adjustable
Suspension Set 1000 mm
cable - Channel Connection



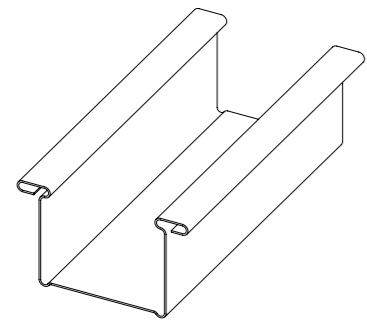
RAFM6MP
Magnet Pot with M6 Thread and Cable
Adaptor



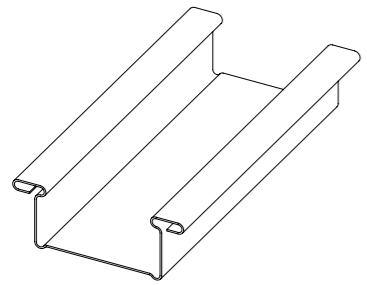
RAFNEXRT
Frontier Raft Extrusion



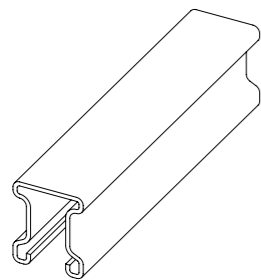
RAH3MBE
3m Steel Cable with
Ball End



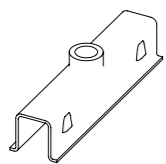
RONDO 129
28mm Furring Channel



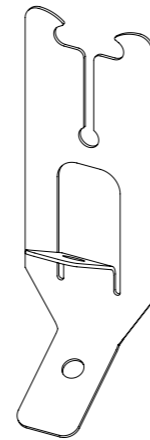
RONDO 308
16mm Furring Channel



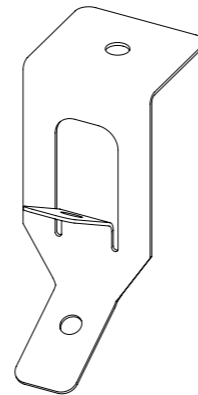
RONDO TCR 127
25mm Top Cross Rail



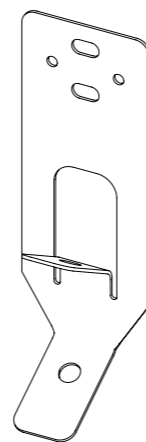
RONDO 119
U Clip



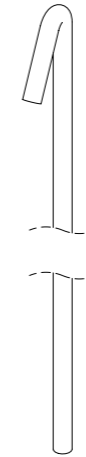
RONDO 2534
Top Cross Rail
Suspension Clip



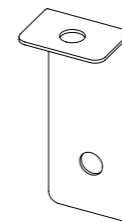
RONDO 547
Adjustable Suspension Hanger
(Concrete)



RONDO 534
Adjustable Suspension Hanger
(Purlins)



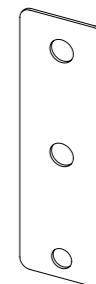
RONDO 121
5mm Soft Galvanised Suspension
Rod



RONDO 247
121 to Concrete



RONDO 719
Adjustable
Suspension Clip



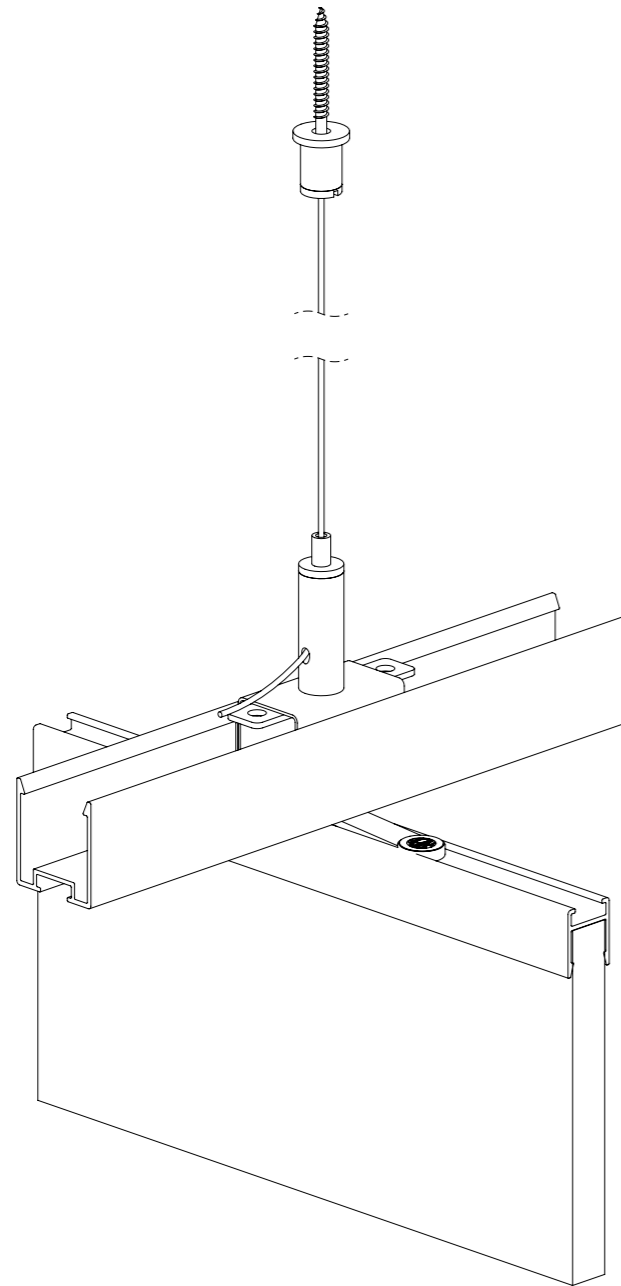
RONDO 274
121 to Timber
/Steel Joist

NOTE

Rondo components are supplied by a 3rd party and may not be available in all territories.

Other brands may have comparable components. Check with your account manager.

Suggested Ceiling Fixing Detail		
Substrate	Fixing	Minimum Embedment
Concrete	Hilti-HUS3-HR6	40 mm
Steel	Stainless Steel 8G Tek Screw	0.55 mm
Timber	Stainless Steel 8G Wood Screw	30 mm

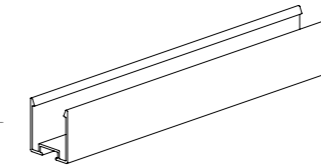


RAHVAS
Autex Adjustable
Suspension Set - Channel

SCREW FIXING
Suitable for Substrate (NOT
SUPPLIED)

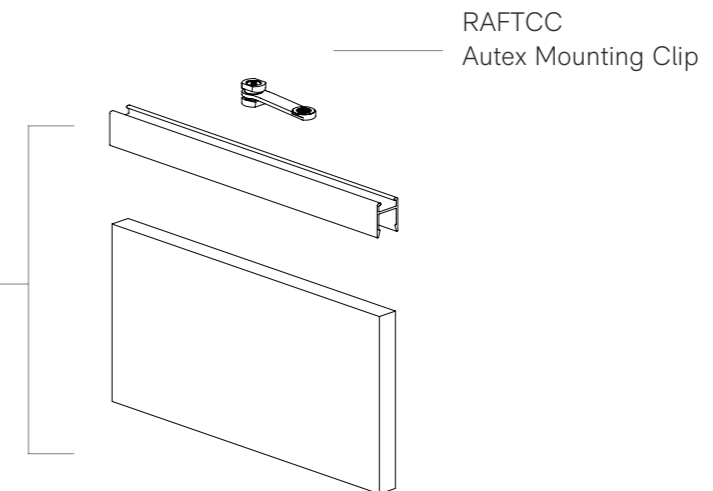
RAFWCP
Autex Removable W-Clip

RAFEX24
Autex Frontier 24 mm
Extrusion



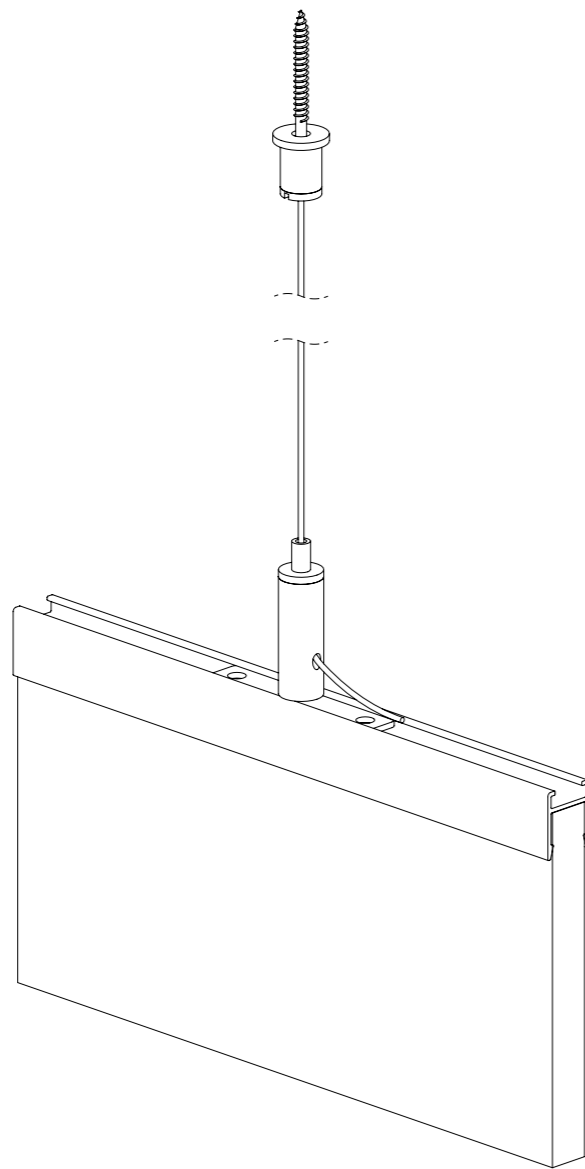
RAFEX
Autex Frontier 12 mm Extrusion +
Fin
- or -
RAFEX24
Autex Frontier
24 mm Extrusion + Fin
- or -
RAFEXRT
Autex Frontier Raft Extrusion +
Raft

RAFTCC
Autex Mounting Clip

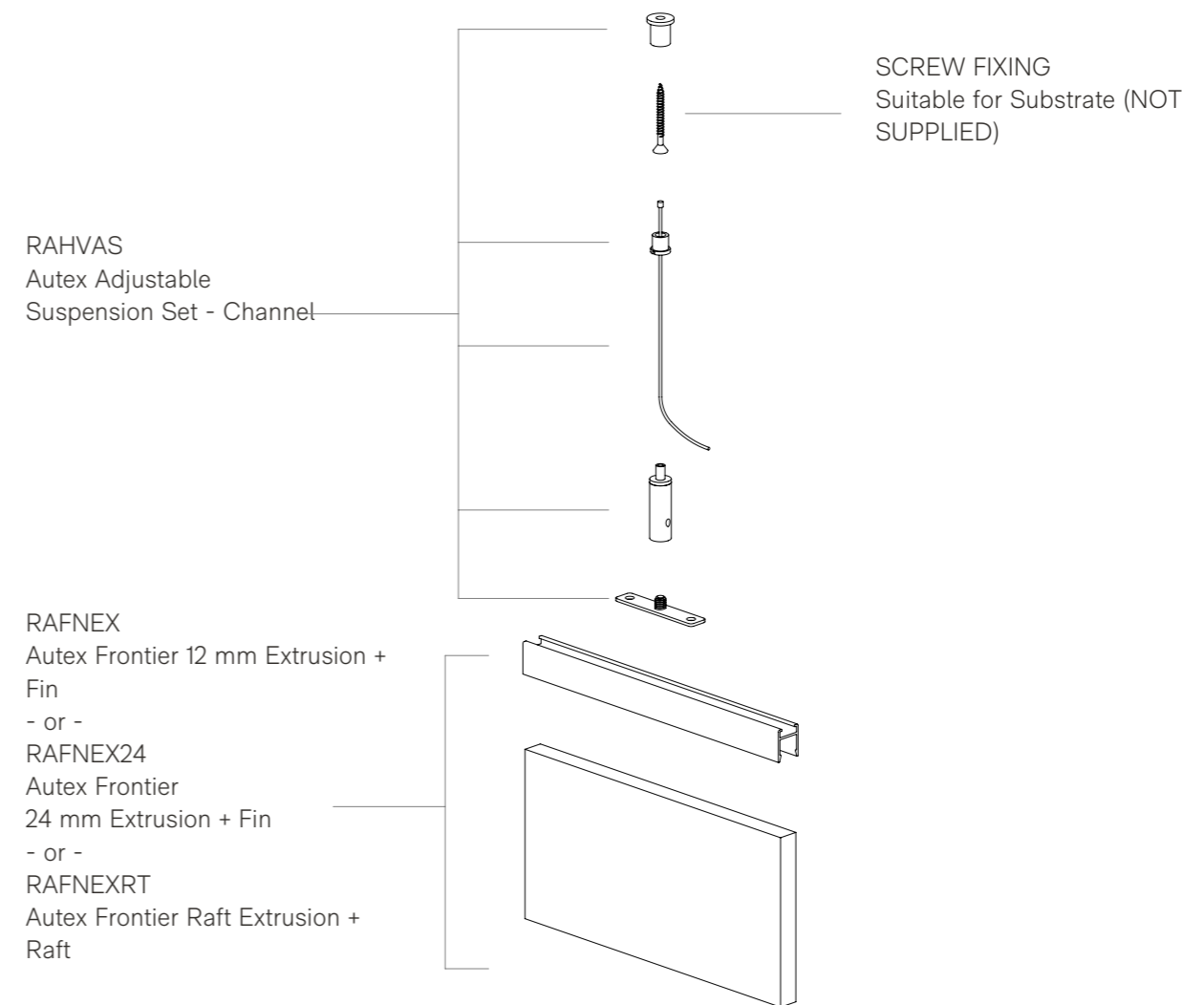


NOTE: This suspension method is suitable for small installations only.
For larger installations refer to pages 25-29

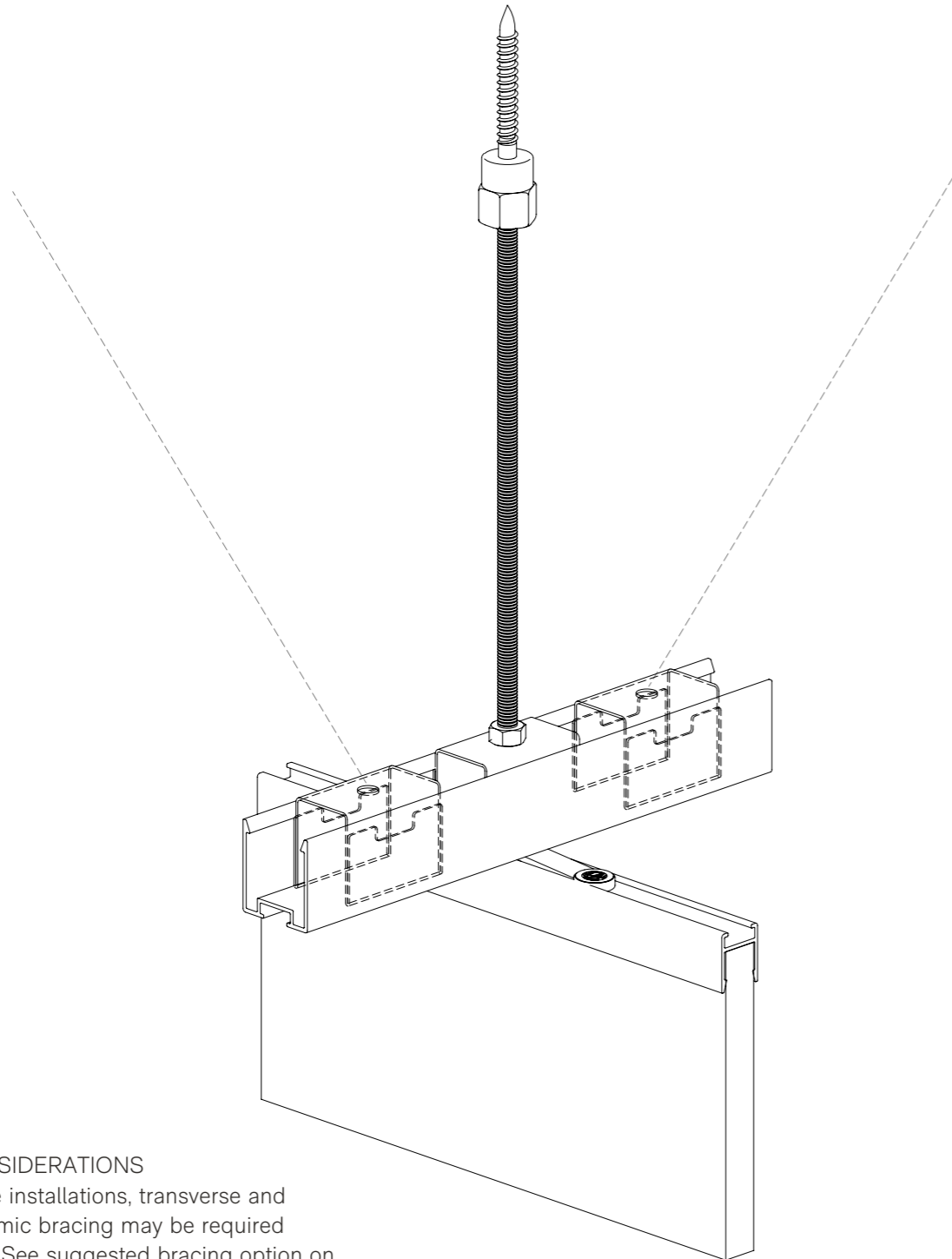
Suggested Ceiling Fixing Detail		
Substrate	Fixing	Minimum Embedment
Concrete	Hilti-HUS3-HR6	40 mm
Steel	Stainless Steel 8G Tek Screw	0.55 mm
Timber	Stainless Steel 8G Wood Screw	30 mm



NOTE: This suspension method is suitable for individual fins only.
Requires 1x RAHVAS set per fin.
For larger installations refer to pages 25-29



Suggested Ceiling Fixing Detail		
Substrate	Fixing	Minimum Embedment
Concrete	Hilti-HUS3-HR6	40 mm
Steel	Stainless Steel 8G Tek Screw	0.55 mm
Timber	Stainless Steel 8G Wood Screw	30 mm



SEISMIC CONSIDERATIONS

For certain size installations, transverse and longitudinal seismic bracing may be required (dashed lines). See suggested bracing option on page 29.

M6 BACK PLATE
(NOT SUPPLIED)

M6 THREADED ROD
(NOT SUPPLIED)

RAFWCP
Autex Removable W-Clip

RAFNEX24
Autex Frontier 24 mm
Extrusion

RAFNEX
Autex Frontier 12 mm Extrusion +
Fin
- or -
RAFNEX24
Autex Frontier
24 mm Extrusion + Fin
- or -
RAFNEXRT
Autex Frontier Raft extrusion +
Raft

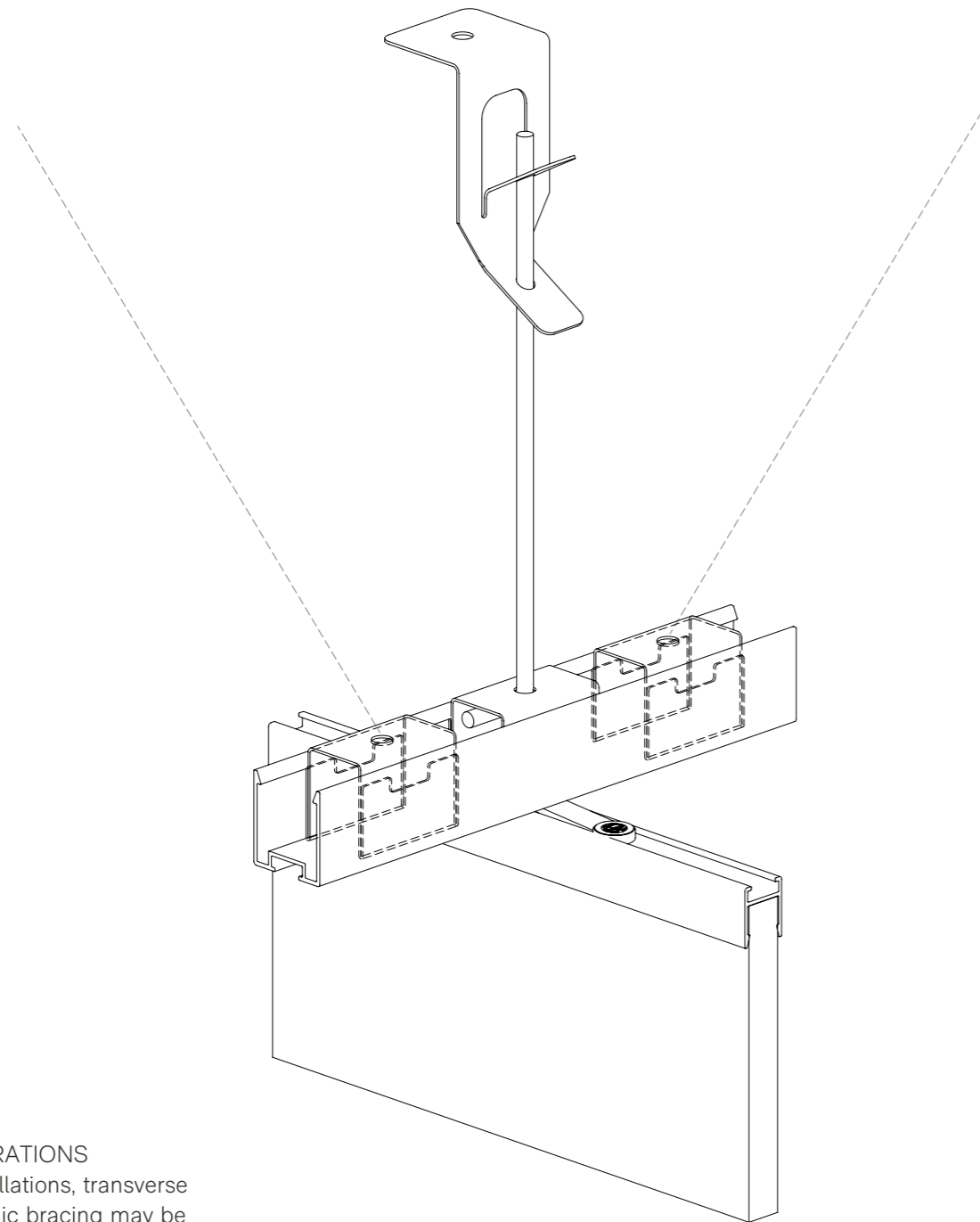
SCREW FIXINGS
Suitable for Substrate (NOT
SUPPLIED)

M6 NUT
(NOT SUPPLIED)

M6 NYLOC NUT
(NOT SUPPLIED)

RAFTCC
Autex Mounting Clip

Suggested Ceiling Fixing Detail		
Substrate	Fixing	Minimum Embedment
Concrete	Hilti-HUS3-HR6	40 mm
Steel	Stainless Steel 8G Tek Screw	0.55 mm
Timber	Stainless Steel 8G Wood Screw	30 mm



SEISMIC CONSIDERATIONS
For certain size installations, transverse and longitudinal seismic bracing may be required (dashed lines). See suggested bracing option on page 29.

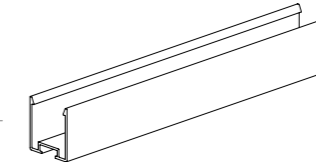
RONDO 121
5 mm Soft Galvanised
Suspension Rod



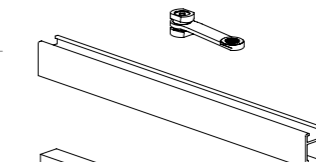
RONDO 547
Adjustable Suspension
Hanger



RAFWCP
Autex Removable
W-Clip



RAFNEX24
Autex Frontier 24 mm
Extrusion

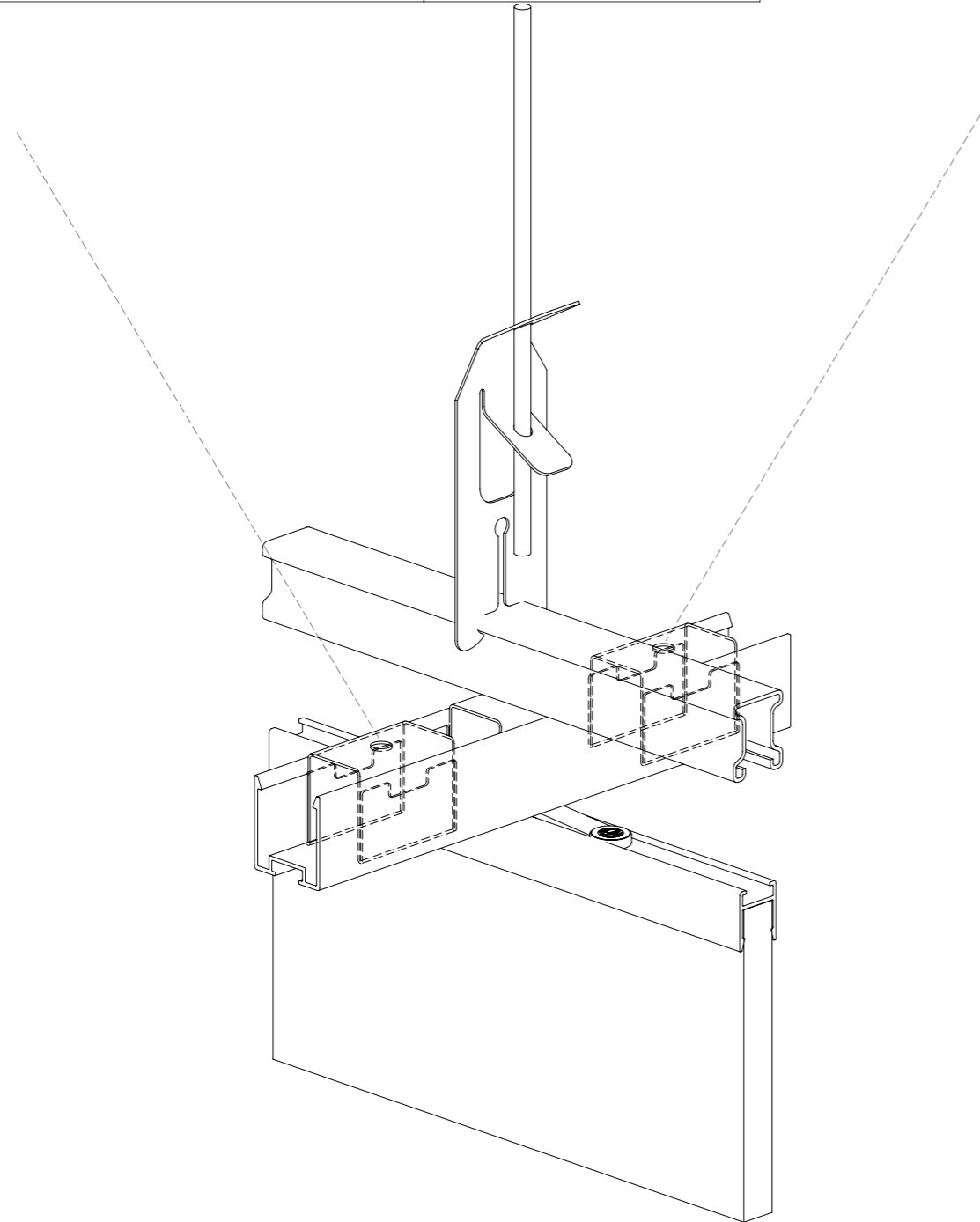


RAFNEX
Autex Frontier
12 mm Extrusion + Fin
- or -
RAFNEX24
Autex Frontier
24 mm Extrusion + Fin
- or -
RAFNEXRT
Autex Frontier Raft Extrusion +
Raft



RAFTCC
Autex Mounting Clip

Suggested Ceiling Fixing Detail		
Substrate	Fixing	Minimum Embedment
Concrete	Hilti-HUS3-HR6	40 mm
Steel	Stainless Steel 8G Tek Screw	0.55 mm
Timber	Stainless Steel 8G Wood Screw	30 mm



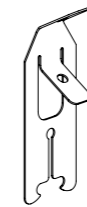
SEISMIC CONSIDERATIONS

For certain size installations, transverse and longitudinal seismic bracing may be required (dashed lines). See suggested bracing option on page 29.

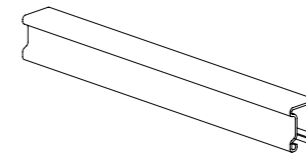
RONDO 121
5 mm Soft Galvanised
Suspension Rod



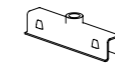
RONDO 2534
Top Cross Rail Suspension
Clip



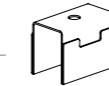
RONDO TCR 127
25 mm Top Cross Rail



RONDO 119
U Clip



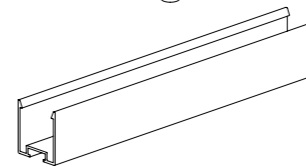
RAFWCP
Autex Removable
W-Clip



M6 X 20 SOCKET HEAD
CAP SCREW (NOT
SUPPLIED)



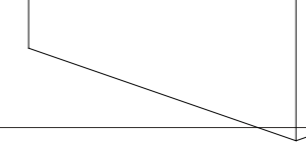
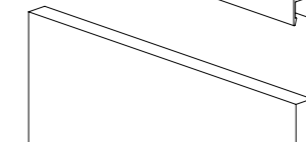
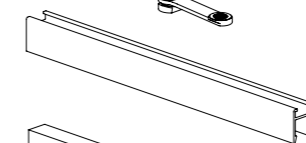
RAFEX24
Autex Frontier 24 mm
Extrusion



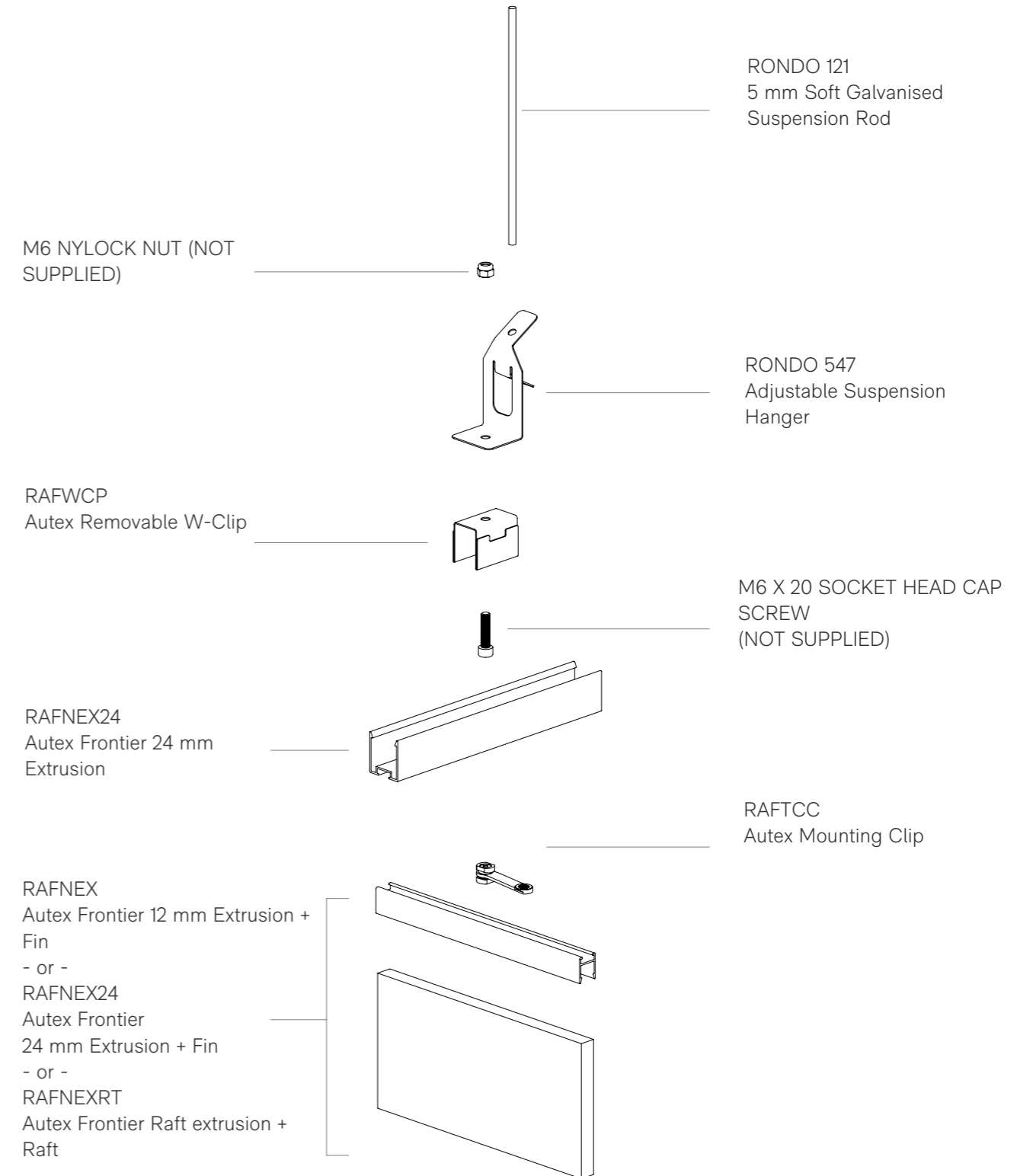
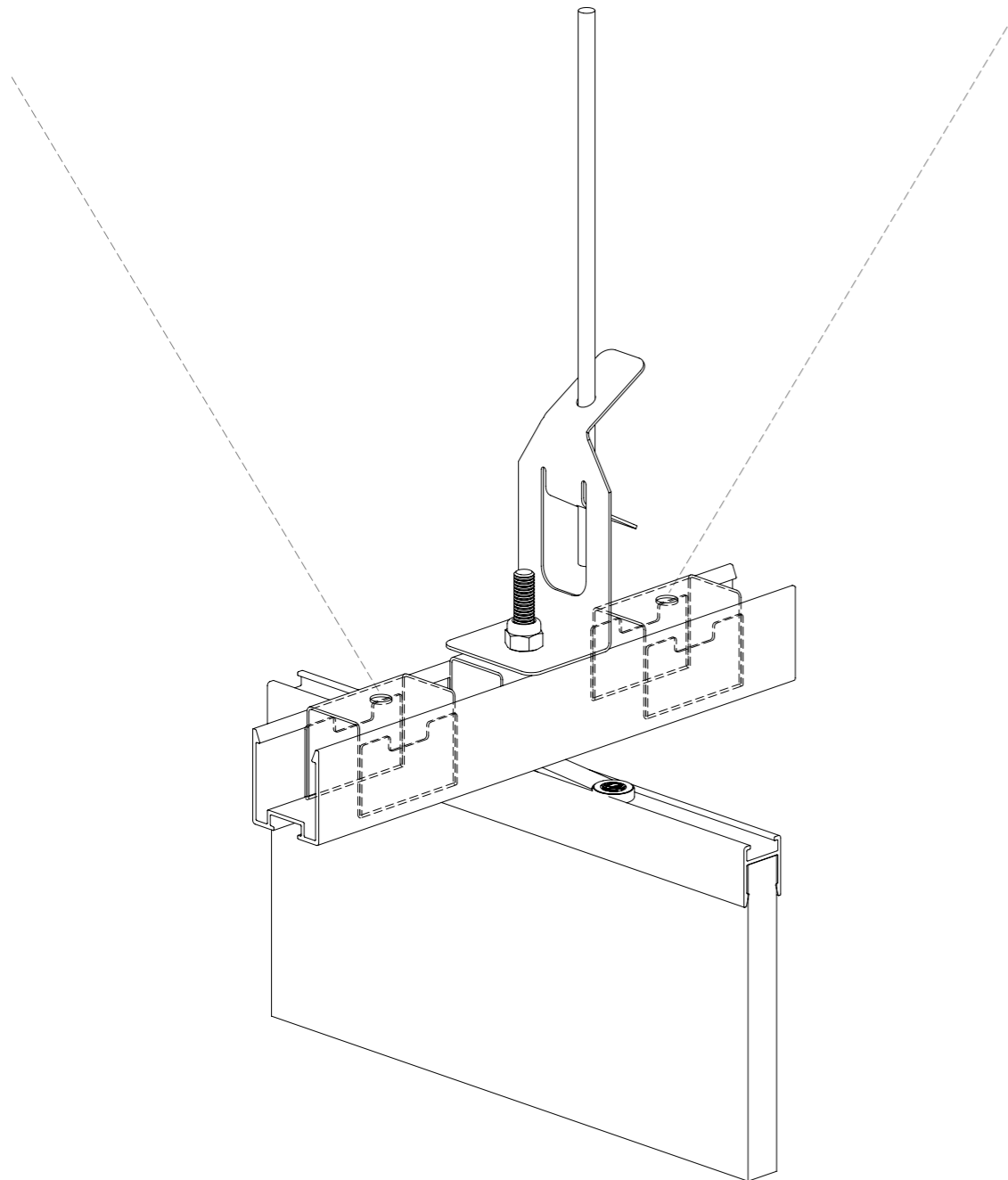
RAFTCC
Autex Mounting Clip



RAFEX
Autex Frontier
12 mm Extrusion + Fin
- or -
RAFEX24
Autex Frontier
24 mm Extrusion + Fin
- or -
RAFEXRT
Autex Frontier Raft Extrusion +
Raft

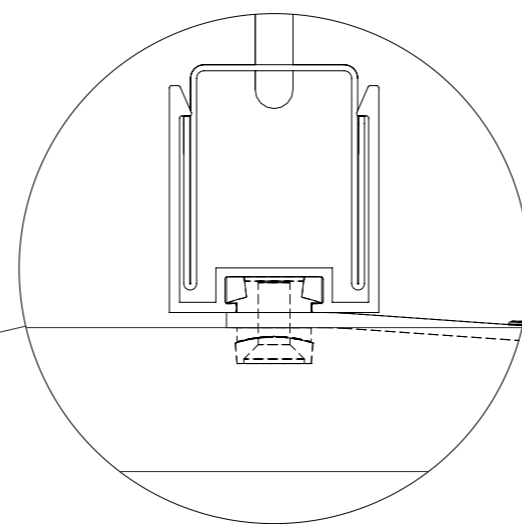
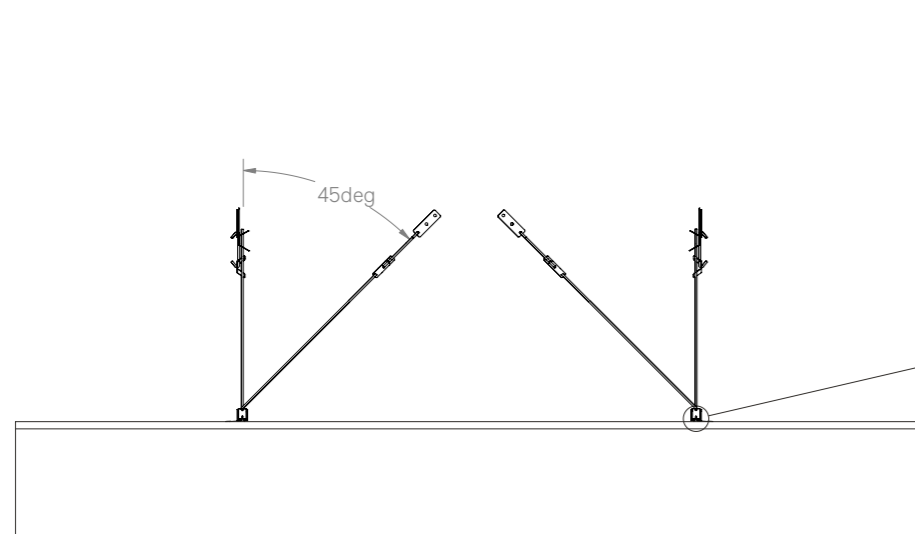
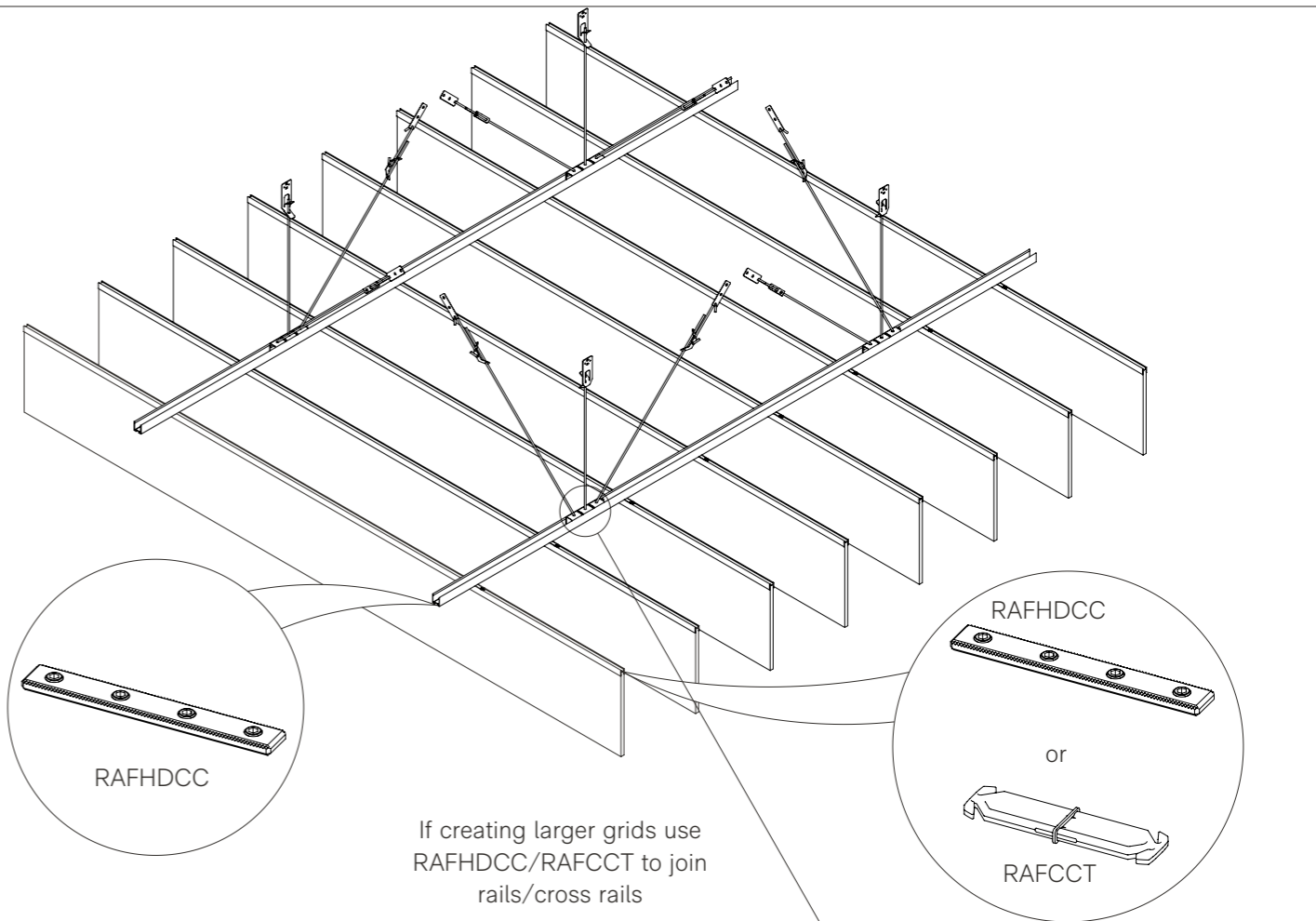
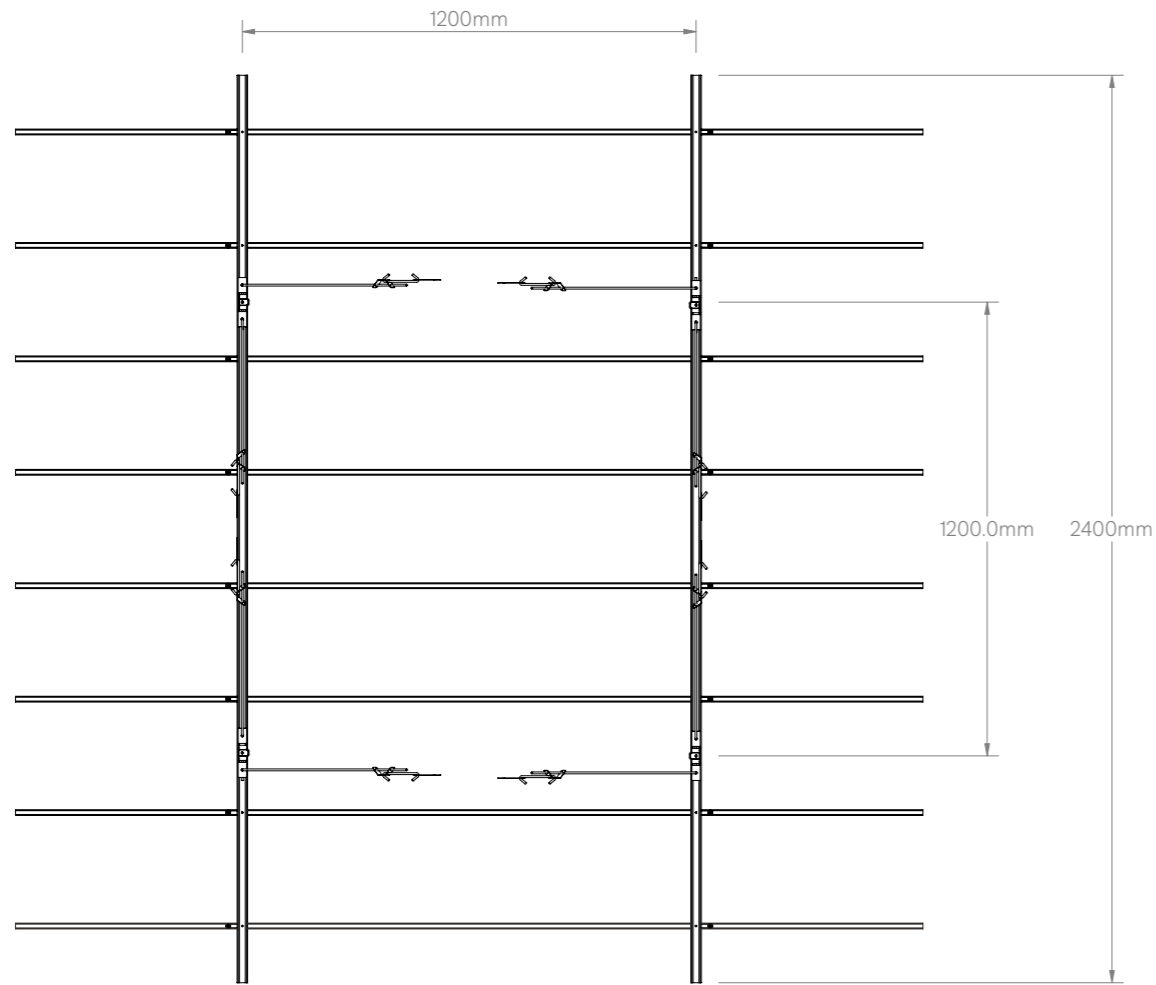


Suggested Ceiling Fixing Detail		
Substrate	Fixing	Minimum Embedment
Concrete	Hilti-HUS3-HR6	40 mm
Steel	Stainless Steel 8G Tek Screw	0.55 mm
Timber	Stainless Steel 8G Wood Screw	30 mm



SEISMIC CONSIDERATIONS

For certain size installations, transverse and longitudinal seismic bracing may be required (dashed lines). See suggested bracing option on page 29.

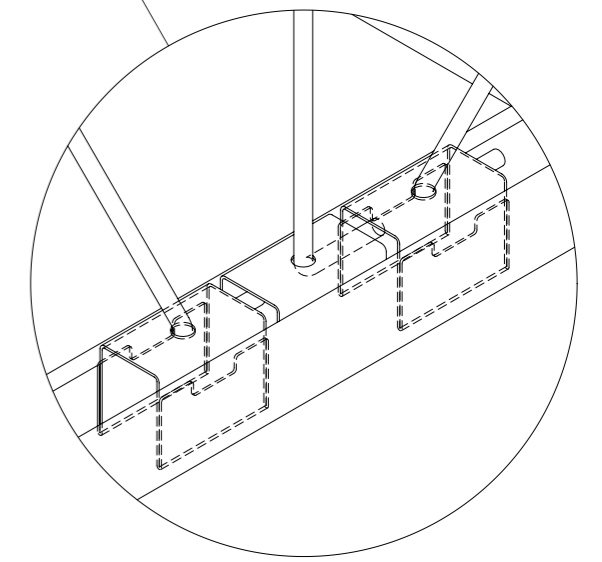


RAFWCP
Autex Removable W-Clip

RAFEX24 (used as crossrail)
Autex Frontier 24 mm Extrusion

RAFTCC
Autex Mounting Clip

RAFEX
Autex Frontier 12 mm Extrusion
- or -
RAFEX24
Autex Frontier 24 mm Extrusion
- or -
RAFEXRT
Autex Frontier Raft Extrusion



Additional Autex W Clips act as interface between bracing and channel